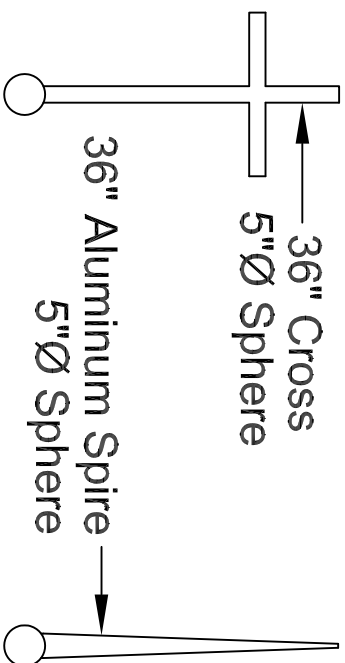


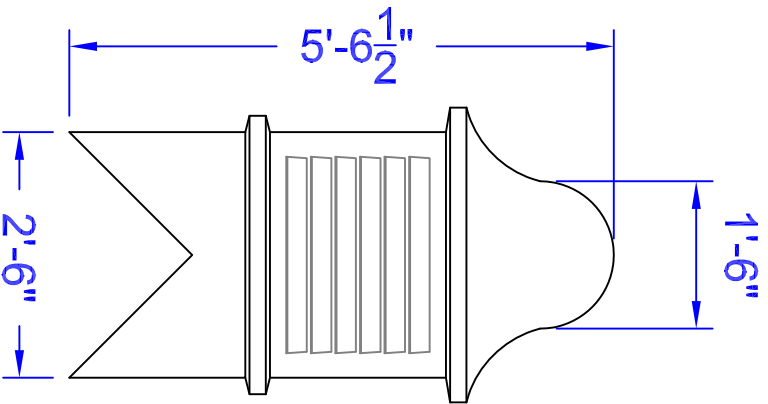
Cupola Data

Overall Height = 5'-6 1/2"
 Base Width = 2'-6"
 Unit Weight = 100 lbs.

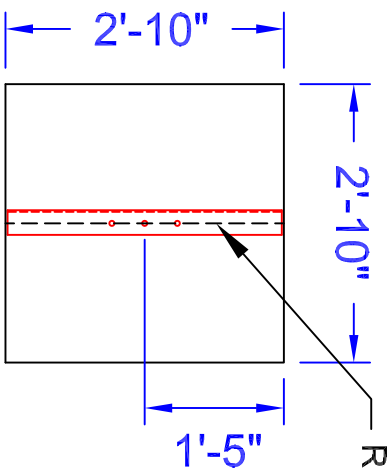
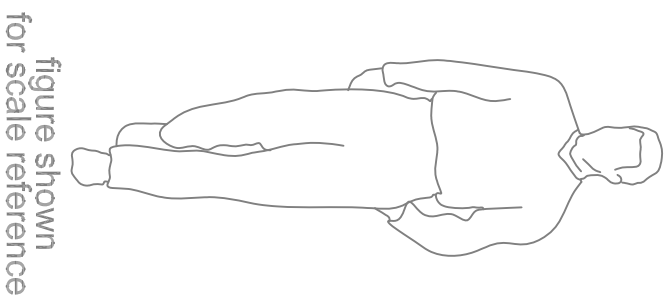
Optional Cupola Finials



Weathervane selection at :
www.whitehallproducts.com

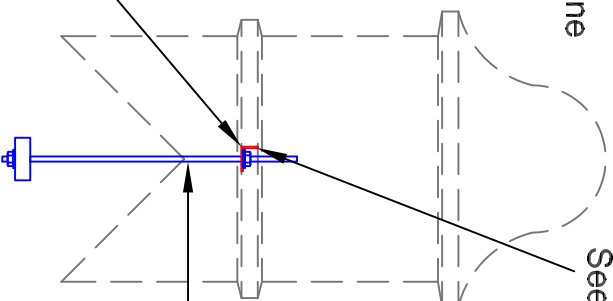


Elevation View



Mounting Detail

Steel Anchor Plate
 (2"x3"x3/16" angle)
 Sealed in FRP



Skeleton View

Steel Anchor Plate
 Integrated Into
 Fiberglass Structure.
 See Mounting Detail

5/8" Ø Anchor
 Rod By Others

Note: All drawings are the property of Piedmont Fiberglass. Dimensions & designs may be altered to accommodate manufacturing.



Piedmont Fiberglass
 INCORPORATED

Old Fashioned Craftsmanship With Modern Composites Technology

Piedmont Fiberglass Inc.

PO Box 1089

Taylorsville, NC 28681

Phone: 828-632-8883

Fax: 828-632-5585

www.piedmontfiberglass.com

Cupola

30 LR

Scale: **Scale**

Drawn By: **TJD/JEM**

Created On: **11/26/08**

Updated On: **11/05/10**