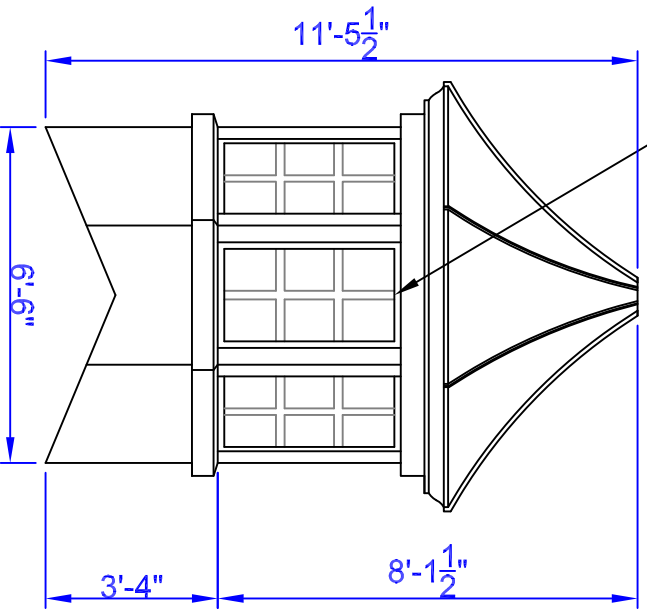
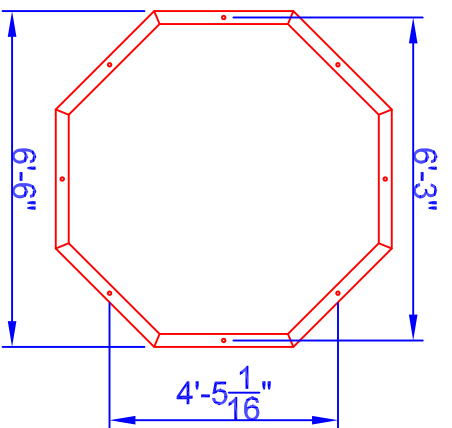


Cupola Data
 Overall Height = 11' 5-1/2"
 Base Width = 6'6"
 Unit Weight = 800 lbs.

Base Panel: 660-W comes standard with 8 rectangular K-glass windows shown below.



Elevation View



Mounting Detail

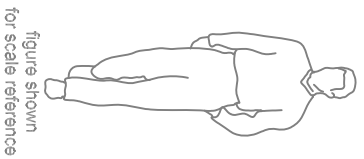
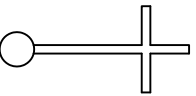
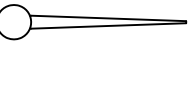


figure shown for scale reference

Optional Cupola Finials

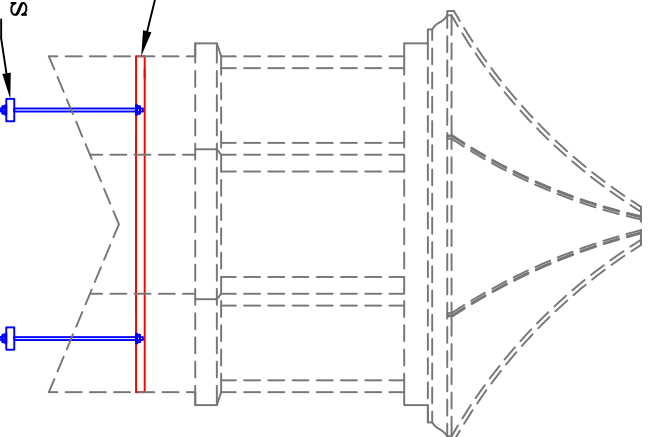
	36" Cross 8"Ø Sphere		36" Aluminum Spire 8"Ø Sphere
---	-------------------------	---	----------------------------------

Weather/vane selection at :
www.whitehallproducts.com

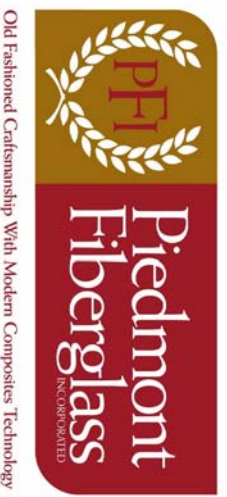
Base Anchor Plate
 2"x3"x3/16" Steel
 Angle Sealed in FRP

Anchor Rods
 Supplied by Others

Skeleton View



Note: All drawings are the property of Piedmont Fiberglass. Dimensions & designs may be altered to accommodate manufacturing.



Old Fashioned Craftsmanship With Modern Composites Technology

Piedmont Fiberglass Inc.
 PO Box 1089
 Taylorsville, NC 28681
 Phone: 828-632-8883
 Fax: 828-632-5585
www.piedmontfiberglass.com

Cupola

Model:

660-W

Scale: **scale**

Drawn By: **TJD/JEM**

Created On: **9/17/07**

Updated On: **11/9/10**