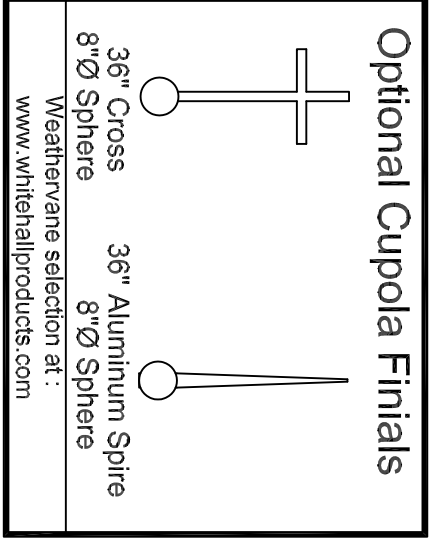
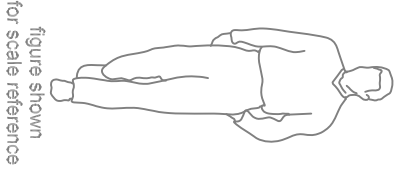
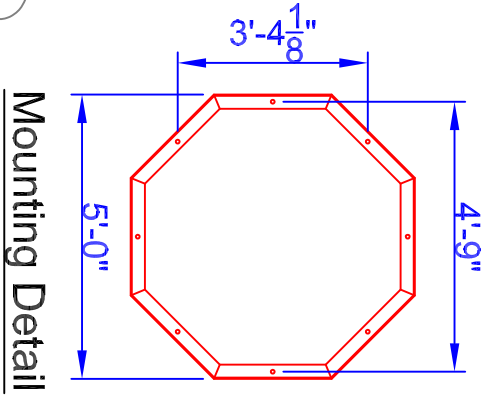
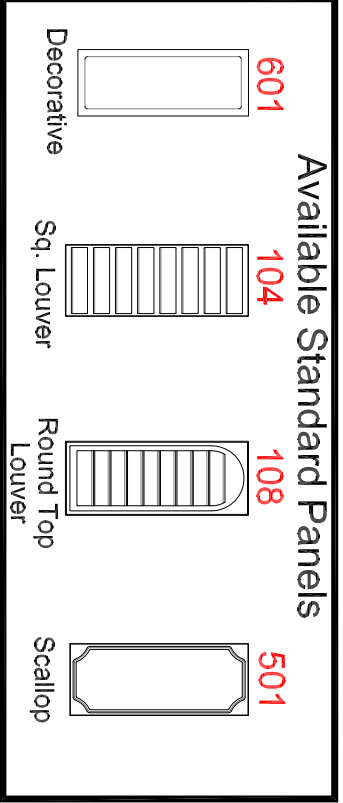
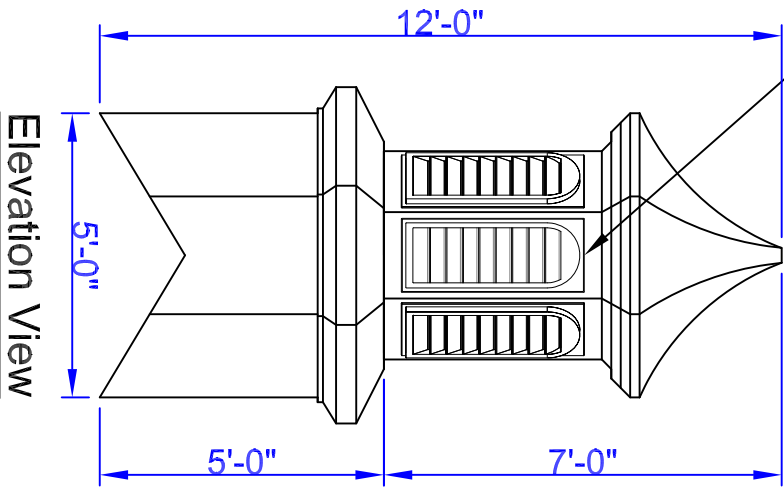
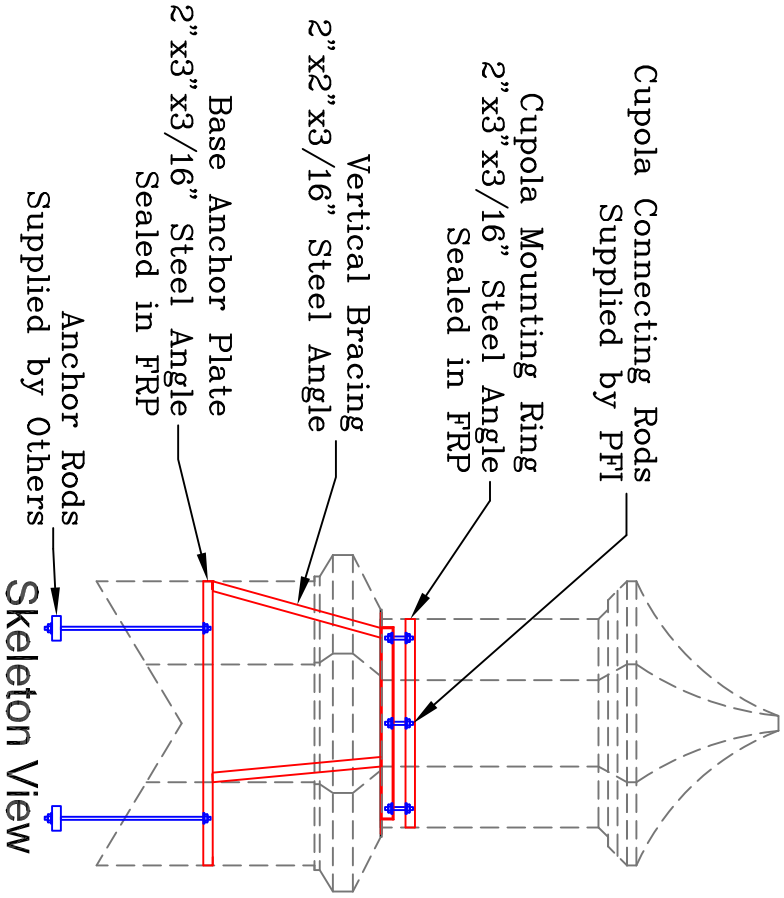


Cupola Data
 Overall Height = 12'
 Base Width = 5'
 Unit Weight = 575 lbs.

Base Panels – See Available Options Above



Note: All drawings are the property of Piedmont Fiberglass. Dimensions & designs may be altered to accommodate manufacturing.



Piedmont Fiberglass Inc.
 PO Box 1089
 Taylorsville, NC 28681
 Phone: 828-632-8883
 Fax: 828-632-5585
www.piedmontfiberglass.com

Cupola

Model: **830-SLP**

Scale: **scale**

Drawn By: **TJD/JEM**

Created On: **2/10/07**

Updated On: **11/12/10**