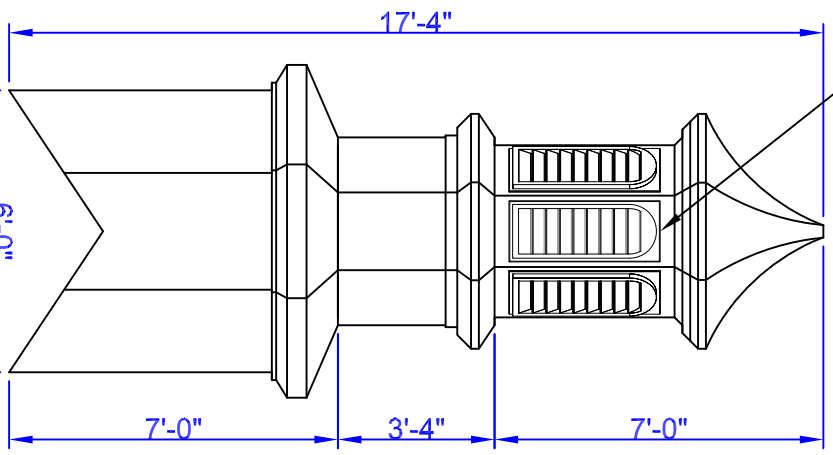


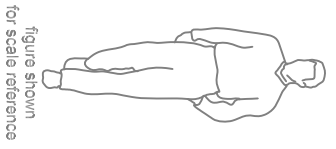
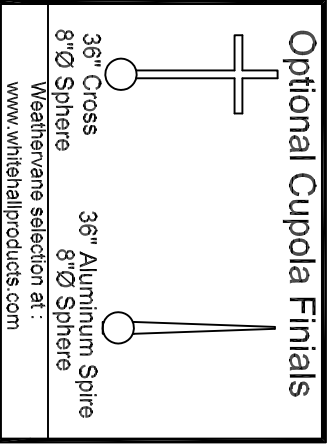
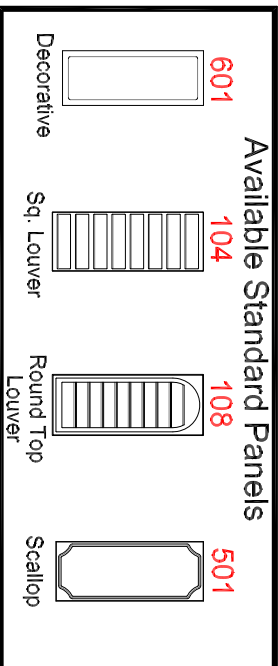
Cupola Data
 Overall Height = 17' -4"
 Base Width = 6'
 Unit Weight = 925 lbs.

Base Panels – See Available Options Above

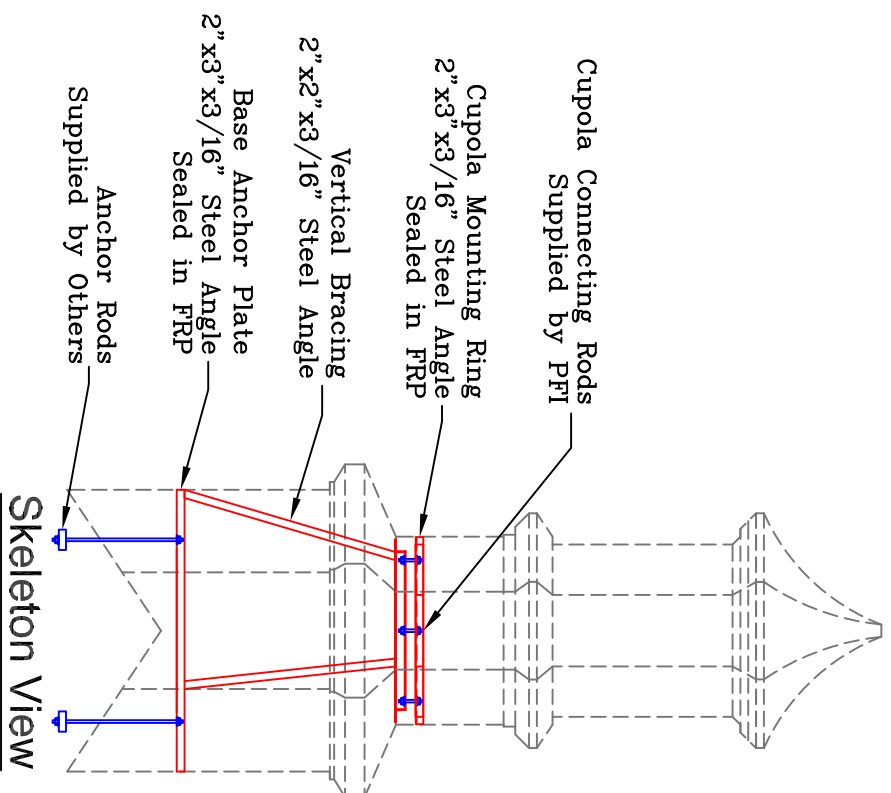
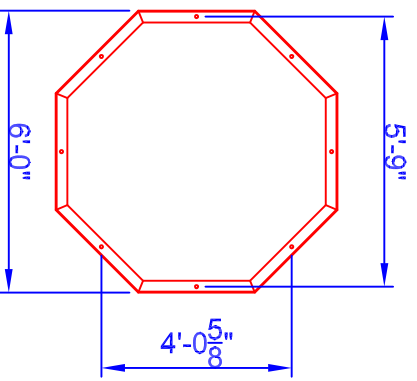


Elevation View

Note: All drawings are the property of Piedmont Fiberglass. Dimensions & designs may be altered to accommodate manufacturing.



Mounting Detail



Old Fashioned Craftsmanship With Modern Composites Technology

Piedmont Fiberglass Inc.
 PO Box 1089
 Taylorsville, NC 28681
 Phone: 828-632-8883
 Fax: 828-632-5585
www.piedmontfiberglass.com

Cupola

Model: **970-LP**

Scale: **scale**

Drawn By: **TJD/JEM**

Created On: **2/18/07**

Updated On: **12/03/10**