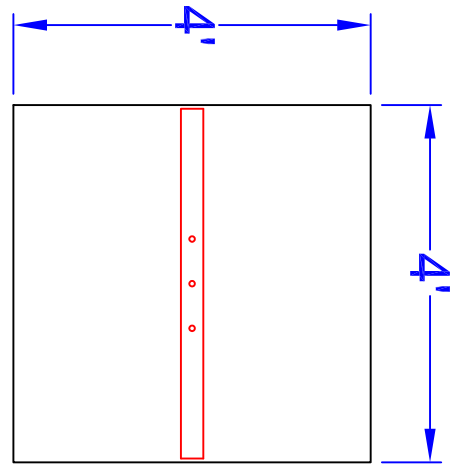
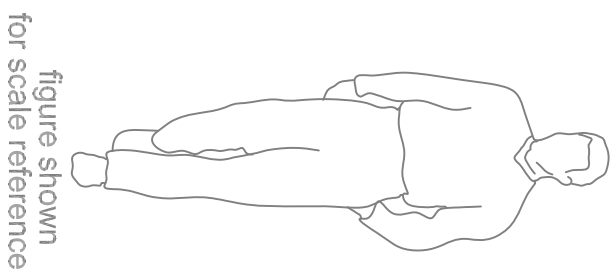
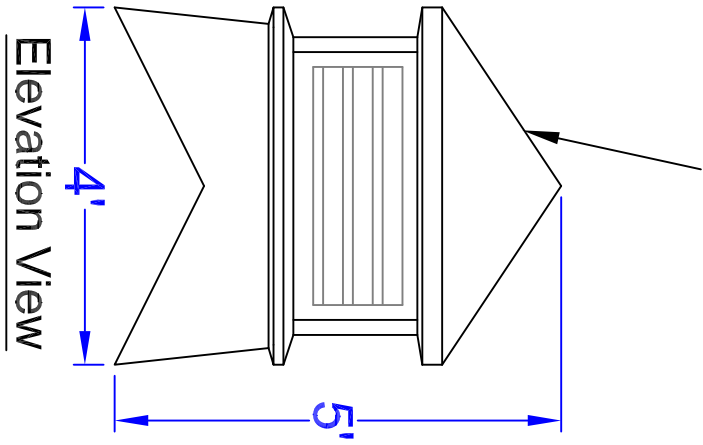


Cupola Data
 Overall Height = 5'
 Base Width = 4'
 Unit Weight = 125 lbs.

Single Piece Fiberglass Shell



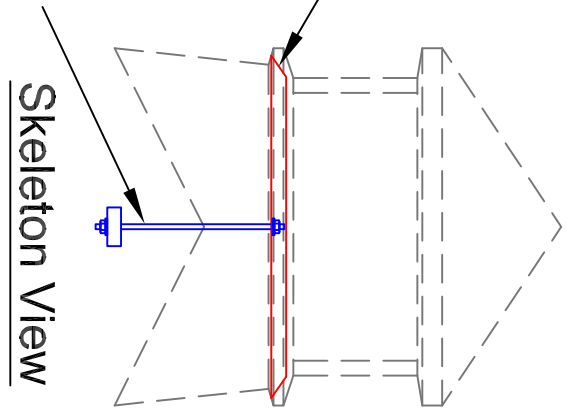
**Steel Anchor Plate Integrated
 Into Fiberglass Structure**
 See Mounting Detail

Optional Cupola Finials

24" Cross
 5" Ø Sphere

Weather vane selection at :
www.whitehallproducts.com

5/8" Ø Anchor
 Rods By Others



Note: All drawings are the property of Piedmont Fiberglass. Dimensions & designs may be altered to accommodate manufacturing.

Piedmont Fiberglass
 ANCHORPLATE

Old Fashioned Craftsmanship With Modern Composites Technology

Piedmont Fiberglass Inc.
 PO Box 1089
 Taylorsville, NC 28681
 Phone: 828-632-8883
 Fax: 828-632-5585
www.piedmontfiberglass.com

Model: **Cupola**

400

Scale: **Scale**
 Drawn By: **TJD/JEM**
 Created On: **7/17/07**
 Updated On: **11/5/10**