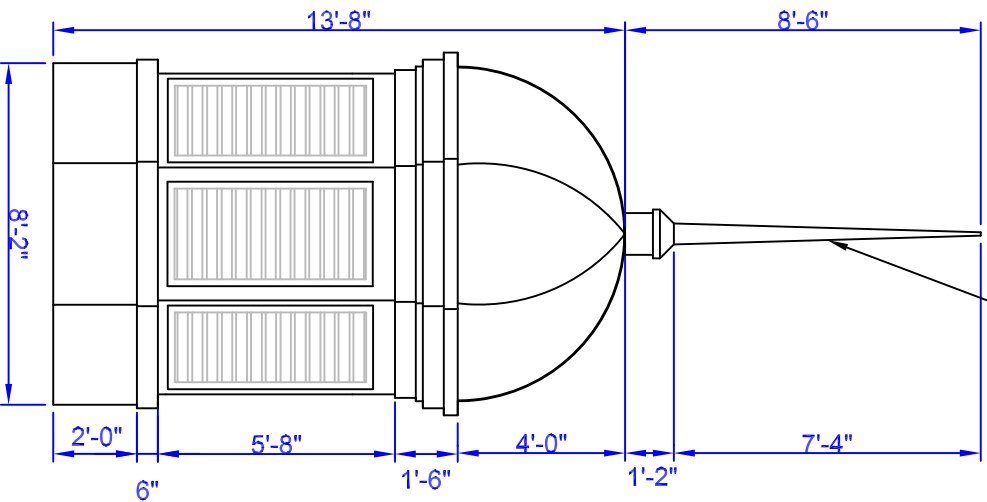
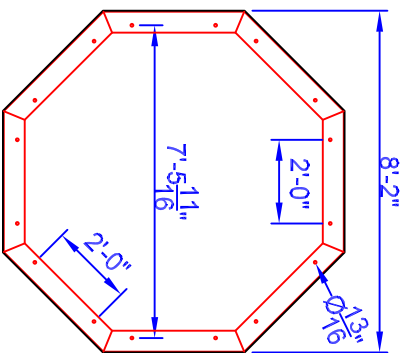


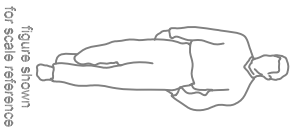
Optional Finial



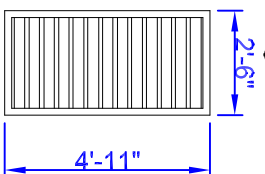
Cupola Data
 Overall Height = 13' 8"
 Base Width = 8' 2"
 Unit Weight = 1,250 lbs.



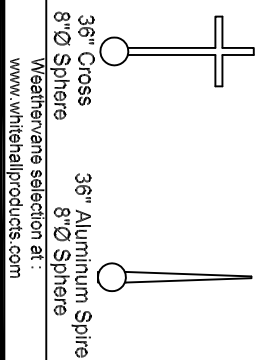
Mounting Detail



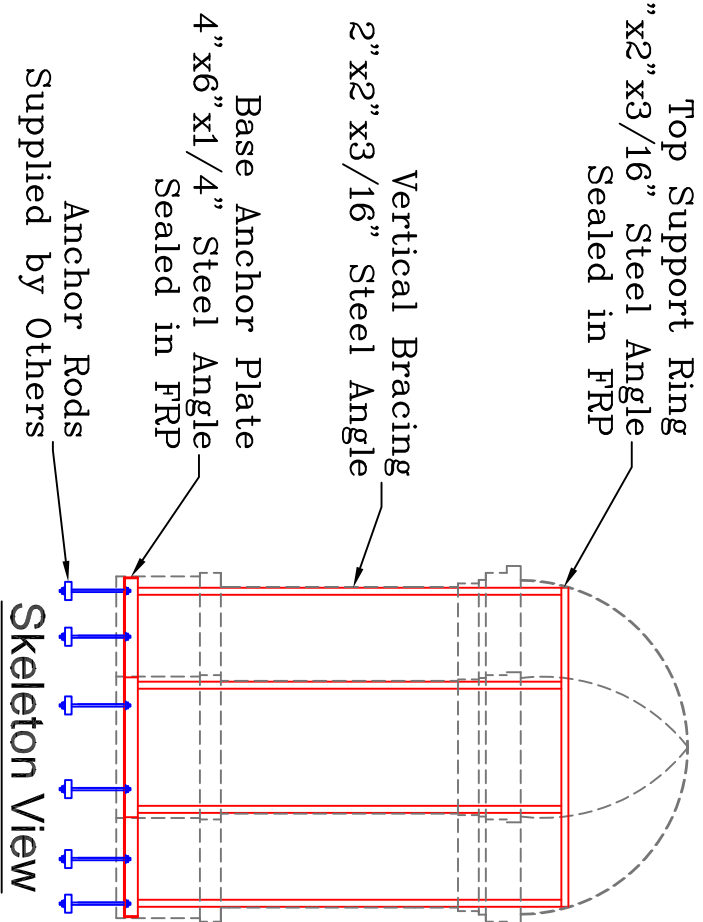
Rectangular Louver



Optional Cupola Finials



Note: All drawings are the property of Piedmont Fiberglass. Dimensions & designs may be altered to accommodate manufacturing.



Skeleton View

Piedmont Fiberglass Inc.

PO Box 1089

Taylorsville, NC 28681

Phone: 828-632-8883

Fax: 828-632-5585

www.piedmontfiberglass.com

Cupola

Model:

1380-LD

Scale: **scale**

Drawn By: **TJD/JEM**

Created On: **9/07/07**

Updated On: **12/03/10**



Piedmont Fiberglass
INCORPORATED

Old Fashioned Craftsmanship With Modern Composites Technology