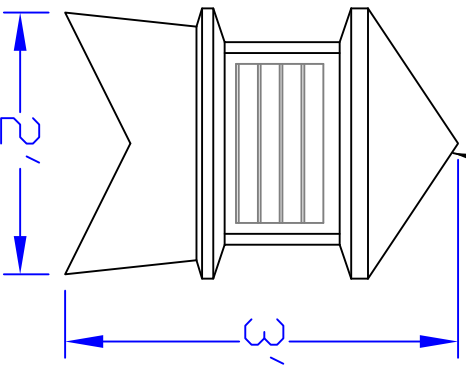


Cupola Data
 Overall Height = 3'
 Base Width = 2'
 Unit Weight = 45 lbs.

Single Piece Fiberglass Shell



Elevation View

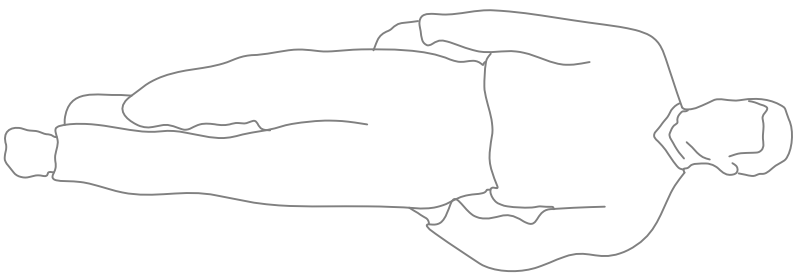
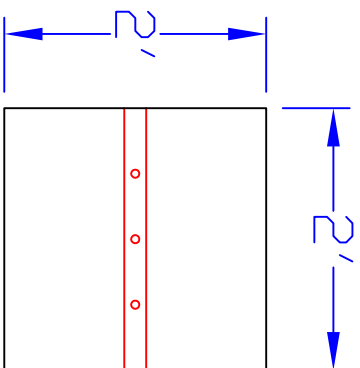


figure shown
for scale reference

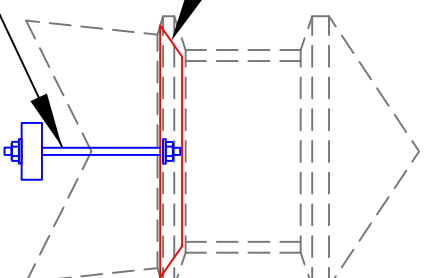


Steel Anchor Plate
 (2"x2"x3/16" angle)
Mounting Detail

Steel Anchor Plate Integrated
 Into Fiberglass Structure
 See Mounting Detail

5/8" Ø Anchor Rod
 Supplied By PFI

Skeleton View

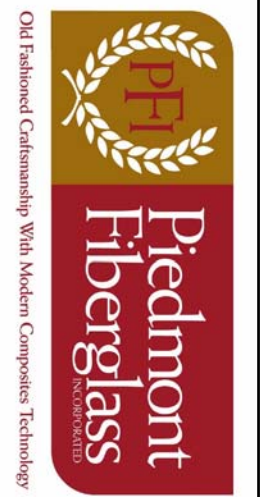


Note: All drawings are the property of Piedmont Fiberglass. Dimensions & designs may be altered to accommodate manufacturing.

Optional Cupola Finials

24" Cross
 5"Ø Sphere

Weathervane selection at :
www.whitehallproducts.com



Piedmont Fiberglass Inc.
 PO Box 1089
 Taylorsville, NC 28681
 Phone: 828-632-8883
 Fax: 828-632-5585
www.piedmontfiberglass.com

Model: **Cupola**

Scale: **Scale**
 Drawn By: **TJD/JEM**
 Created On: **7/17/07**
 Updated On: **11/20/13**