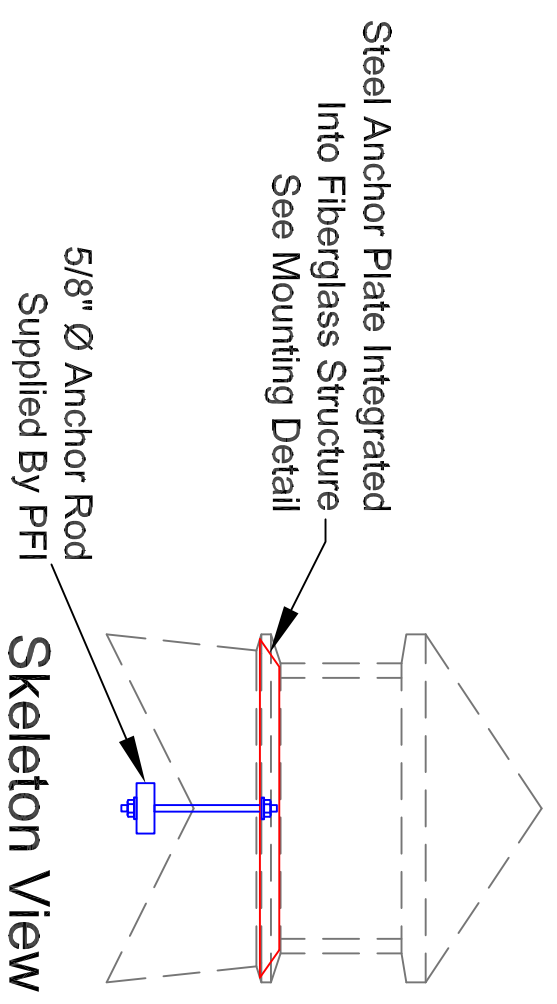
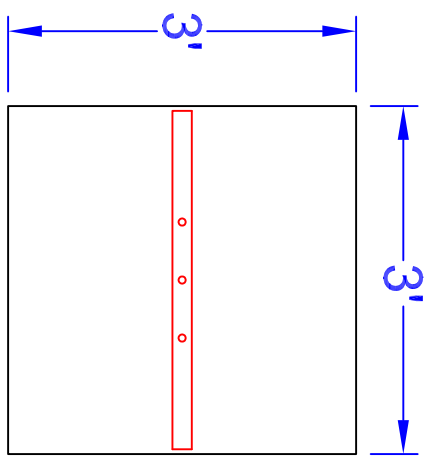
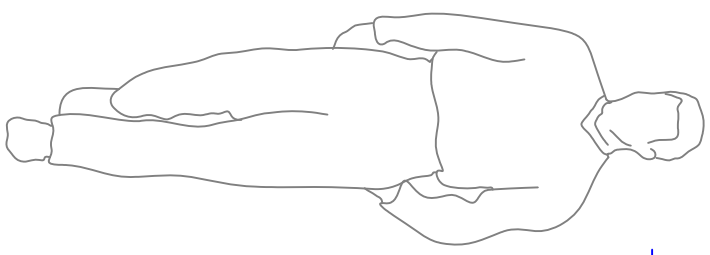
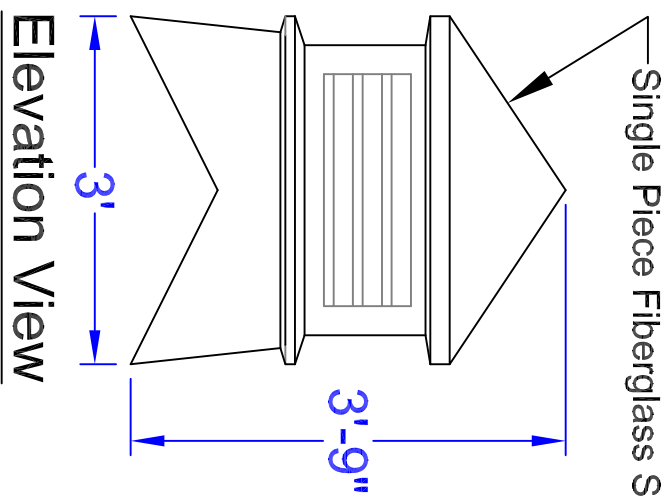


**Cupola Data**  
 Overall Height = 3' 9"  
 Base Width = 3'  
 Unit Weight = 75 lbs.

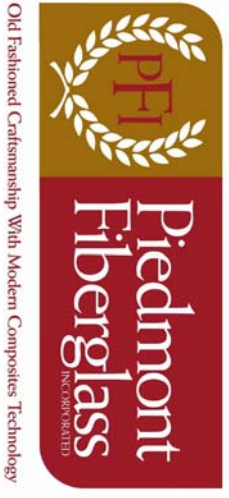


**Optional Cupola Finials**

24" Cross  
5"Ø Sphere

Weatheravene selection at :  
[www.whitehallproducts.com](http://www.whitehallproducts.com)

Note: All drawings are the property of Piedmont Fiberglass. Dimensions & designs may be altered to accommodate manufacturing.



Piedmont Fiberglass Inc.  
 PO Box 1089  
 Taylorsville, NC 28681  
 Phone: 828-632-8883  
 Fax: 828-632-5585  
[www.piedmontfiberglass.com](http://www.piedmontfiberglass.com)

<b>Cupola</b>		Scale: <b>Scale</b>
		Drawn By: <b>TJD/JEM</b>
Model:	<b>300</b>	Created On: <b>7/17/07</b>
		Updated On: <b>11/20/13</b>