

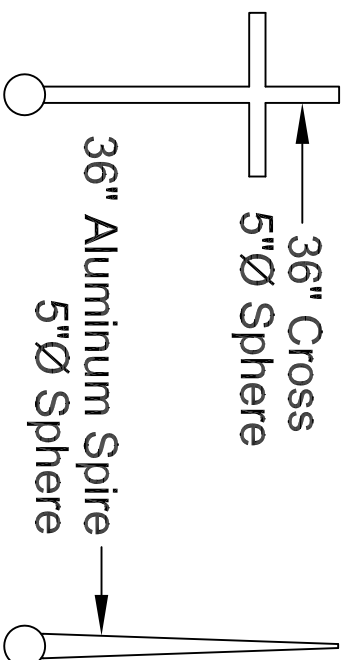
Cupola Data

Overall Height = 5'-6 1/2"

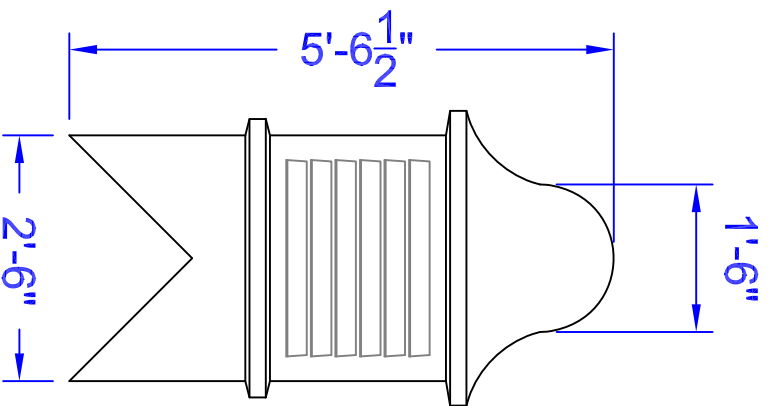
Base Width = 2'-6"

Unit Weight = 100 lbs.

Optional Cupola Finials

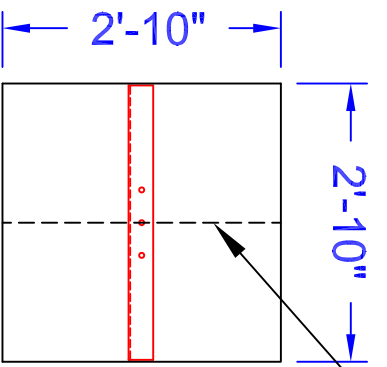
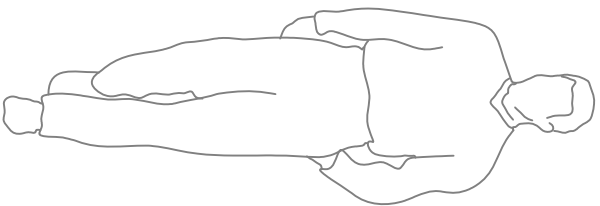


Weathervane selection at :
www.whitehallproducts.com



Elevation View

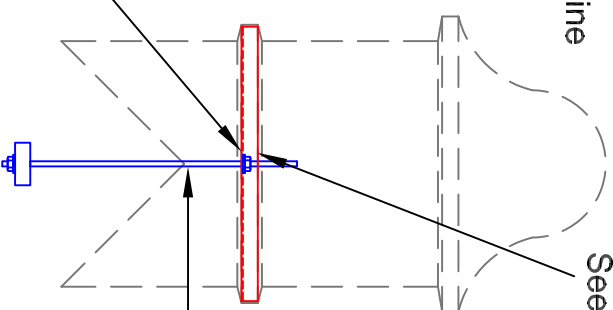
figure shown
for scale reference



Mounting Detail

Steel Anchor Plate
(2"x3"x3/16" angle)
Sealed in FRP

Ridge Line



Skeleton View

Steel Anchor Plate
Integrated Into
Fiberglass Structure.
See Mounting Detail

5/8" Ø Anchor Rod
Supplied By PFI

Note: All drawings are the property of Piedmont Fiberglass. Dimensions & designs may be altered to accommodate manufacturing.



Old Fashioned Craftsmanship With Modern Composites Technology

Piedmont Fiberglass Inc.

PO Box 1089

Taylorsville, NC 28681

Phone: 828-632-8883

Fax: 828-632-5585

www.piedmontfiberglass.com

Cupola

Model:

30 LR

Scale: **Scale**

Drawn By: **TJD/JEM**

Created On: **11/26/08**

Updated On: **11/20/13**