

Cupola Data
 Overall Height = 5'
 Base Width = 4'
 Unit Weight = 125 lbs.

Single Piece Fiberglass Shell

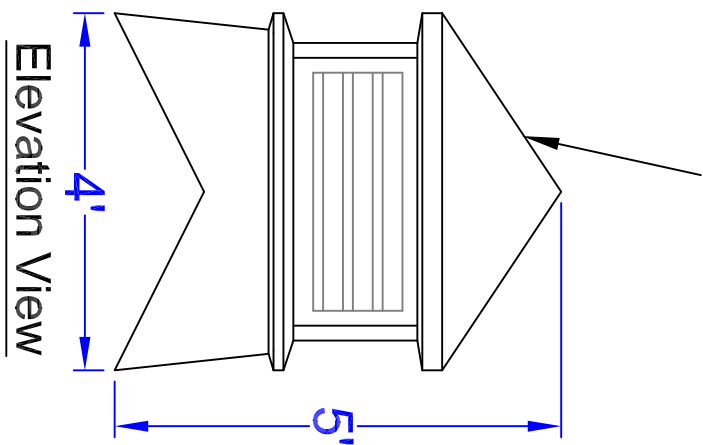
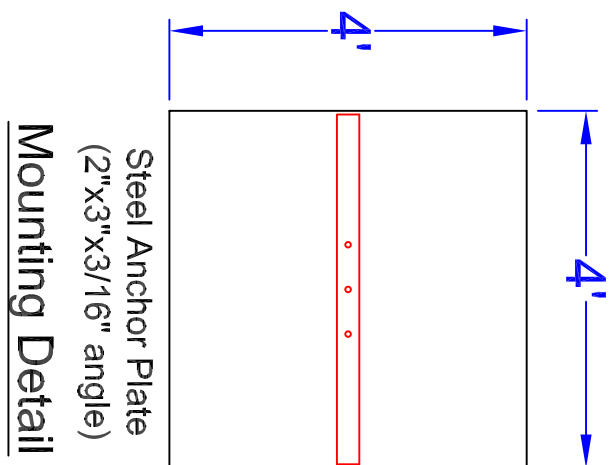
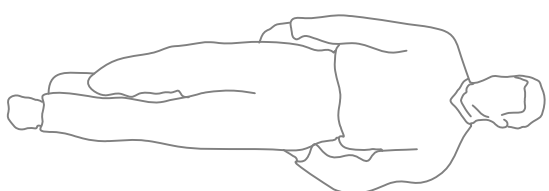
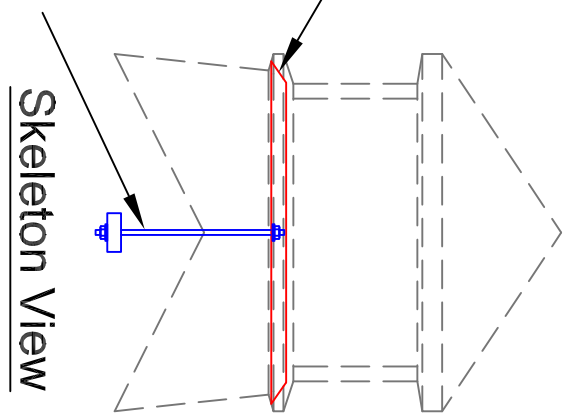


figure shown
for scale reference



**Steel Anchor Plate Integrated
 Into Fiberglass Structure
 See Mounting Detail**

**5/8" Ø Anchor Rod
 Supplied By PFI**



Note: All drawings are the property of Piedmont Fiberglass. Dimensions & designs may be altered to accommodate manufacturing.

Optional Cupola Finials

24" Cross
 5"Ø Sphere

Weathervane selection at :
www.whitehallproducts.com

Piedmont Fiberglass
 INCORPORATED

Old Fashioned Craftsmanship With Modern Composites Technology

Piedmont Fiberglass Inc.
 PO Box 1089
 Taylorsville, NC 28681
 Phone: 828-632-8883
 Fax: 828-632-5585
www.piedmontfiberglass.com

Model:
Cupola
400

Scale: **Scale**
 Drawn By: **TJD/JEM**
 Created On: **7/17/07**
 Updated On: **11/20/13**