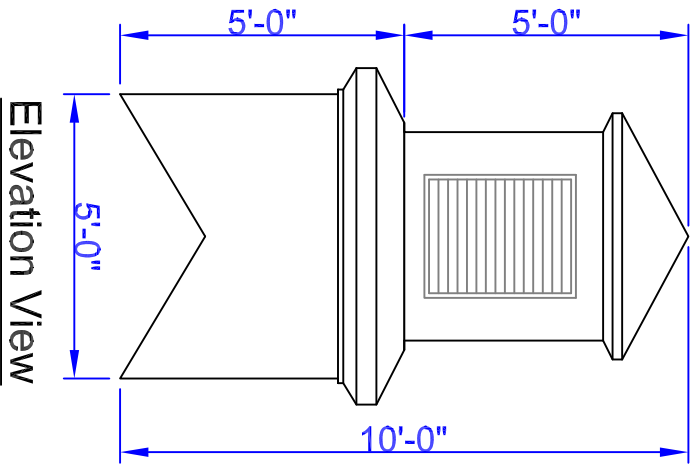
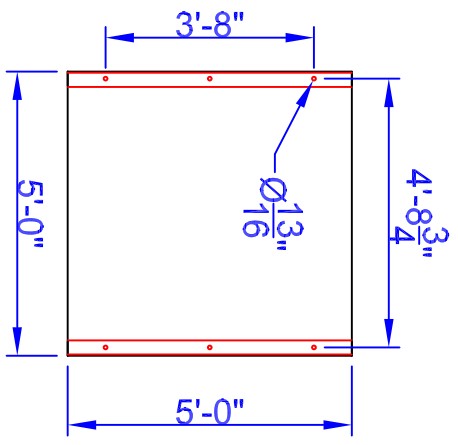


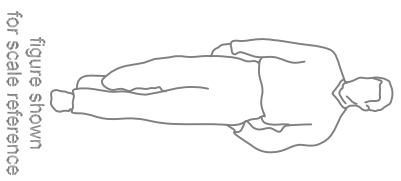
**Cupola Data**  
**Overall Height = 10'**  
**Base Width = 5'**  
**Unit Weight = 575 lbs.**



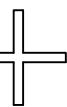
**Elevation View**




**Mounting Detail**



**Optional Cupola Finials**



36" Cross  
8"Ø Sphere



36" Aluminum Spire  
8"Ø Sphere

Weathervane selection at :  
[www.whitehallproducts.com](http://www.whitehallproducts.com)

Cupola Connecting Rods  
 Supplied by PFI

Cupola Mounting Ring  
 2" x2" x3/16" Steel Angle  
 Sealed in FRP


Vertical Bracing  
 2" x2" x3/16" Steel Angle

Base Anchor Plate  
 2" x3" x3/16" Steel Angle  
 Sealed in FRP

Anchor Rods  
 Supplied by Others

**Skeleton View**

Note: All drawings are the property of Piedmont Fiberglass. Dimensions & designs may be altered to accommodate manufacturing.



**Piedmont Fiberglass**  
INCORPORATED

Old Fashioned Craftsmanship With Modern Composites' Technology

**Piedmont Fiberglass Inc.**  
 PO Box 1089  
 Taylorsville, NC 28681  
 Phone: 828-632-8883  
 Fax: 828-632-5585  
[www.piedmontfiberglass.com](http://www.piedmontfiberglass.com)

**Cupola**

Model: **500-LPK**

Scale: **Scale**

Drawn By: **TJD/JEM**

Created On: **2/19/07**

Updated On: **11/8/10**