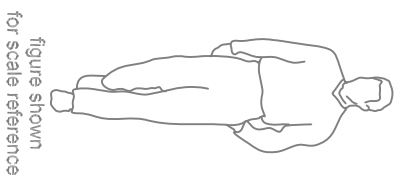
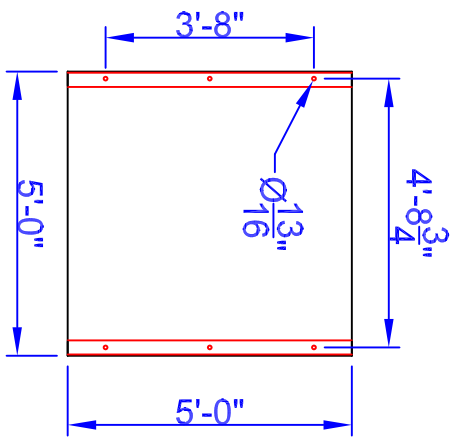
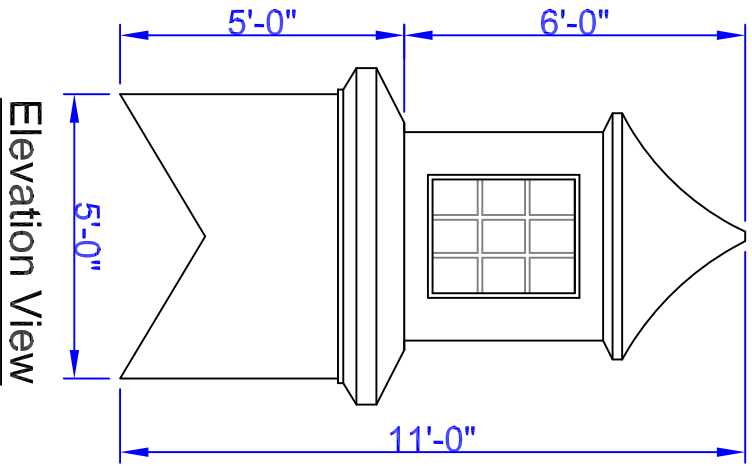
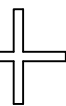



Cupola Data
Overall Height = 11'
Base Width = 5'
Unit Weight = 575 lbs.



Optional Cupola Finials



36" Cross
8"Ø Sphere



36" Aluminum Spire
8"Ø Sphere

Weatheravene selection at :
www.whitehallproducts.com

Mounting Detail

Cupola Connecting Rods
 Supplied by PFI

Cupola Mounting Ring
 2" x 2" x 3/16" Steel Angle
 Sealed in FRP

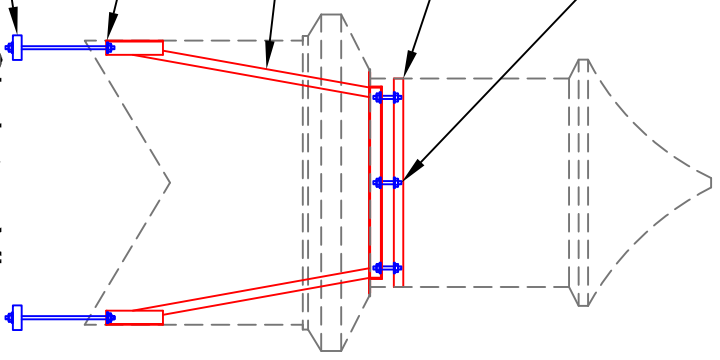

Vertical Bracing
 2" x 2" x 3/16" Steel Angle

Base Anchor Plate
 2" x 3" x 3/16" Steel Angle
 Sealed in FRP

Anchor Rods
 Supplied by Others

Note: All drawings are the property of Piedmont Fiberglass. Dimensions & designs may be altered to accommodate manufacturing.

Skeleton View

Piedmont Fiberglass
 INCORPORATED

Old Fashioned Craftsmanship With Modern Composites' Technology

Piedmont Fiberglass Inc.
 PO Box 1089
 Taylorsville, NC 28681
 Phone: 828-632-8883
 Fax: 828-632-5585
www.piedmontfiberglass.com

Cupola

Model: **500-WP**

Scale: **Scale**

Drawn By: **TJD/JEM**

Created On: **2/19/07**

Updated On: **11/8/10**