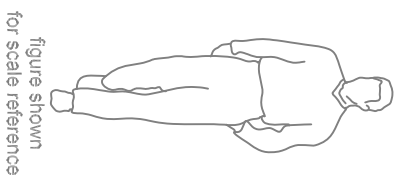
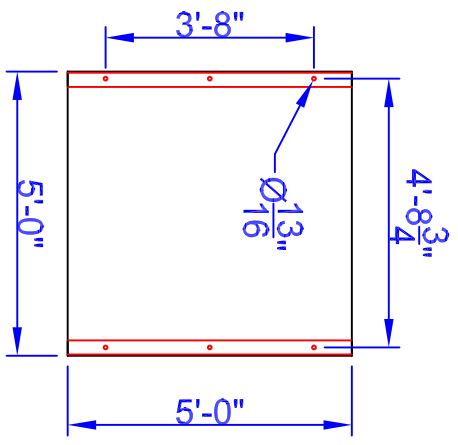
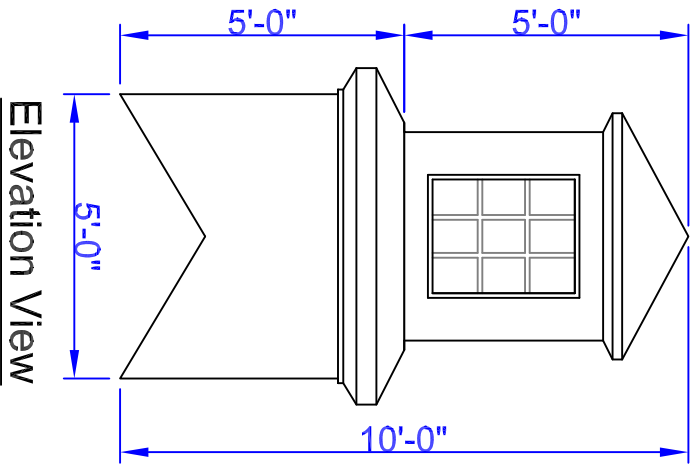
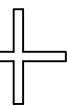



Cupola Data
 Overall Height = 10'
 Base Width = 5'
 Unit Weight = 575 lbs.



Optional Cupola Finials

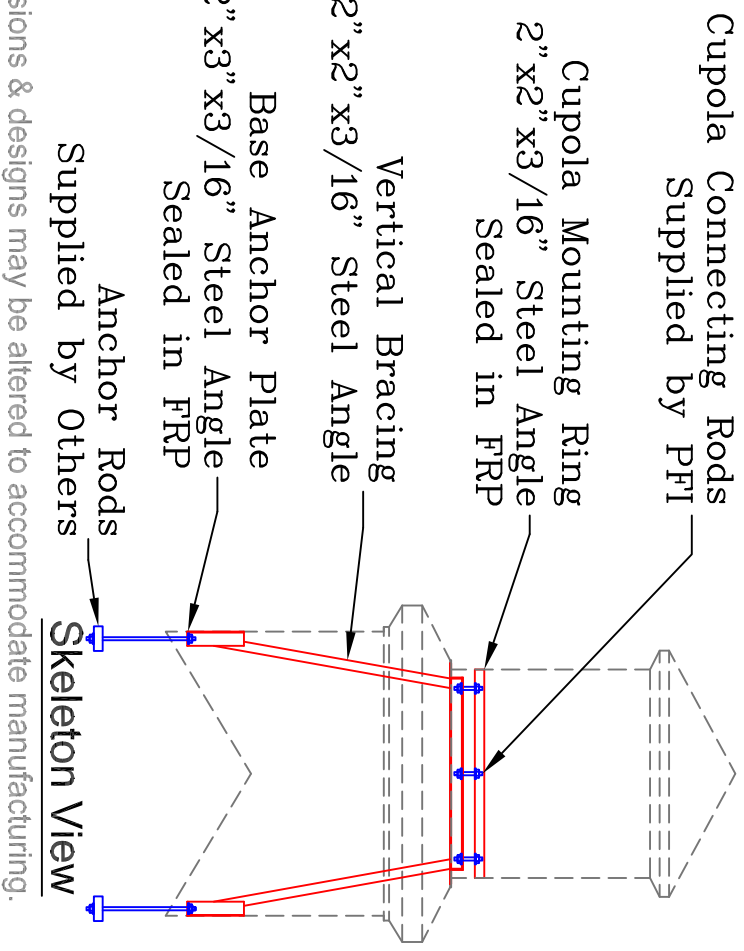


36" Cross
8"Ø Sphere



36" Aluminum Spire
8"Ø Sphere

Weathervane selection at :
www.whitehallproducts.com



Note: All drawings are the property of Piedmont Fiberglass. Dimensions & designs may be altered to accommodate manufacturing.



Piedmont Fiberglass
INCORPORATED

Old Fashioned Craftsmanship With Modern Composites' Technology

Piedmont Fiberglass Inc.
 PO Box 1089
 Taylorsville, NC 28681
 Phone: 828-632-8883
 Fax: 828-632-5585
www.piedmontfiberglass.com

Cupola

Model: **500-WPK**

Scale: **Scale**

Drawn By: **TJD/JEM**

Created On: **2/19/07**

Updated On: **1/18/10**