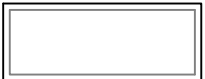
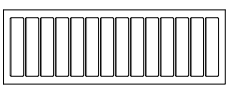
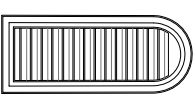
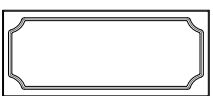
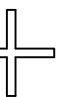



Cupola Data
 Overall Height = 11' 10 3/16"
 Base Width = 6'
 Unit Weight = 800 lbs.

Available Standard Panels

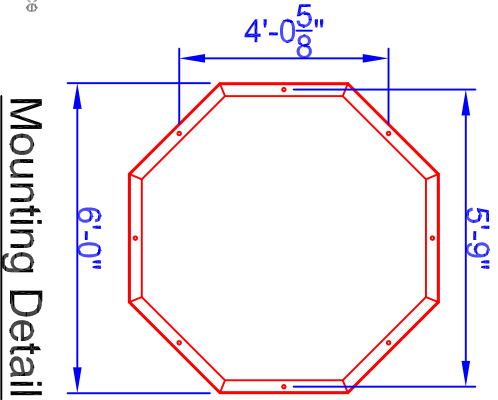
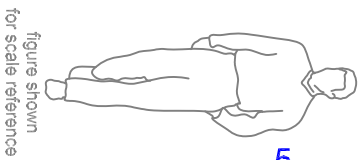
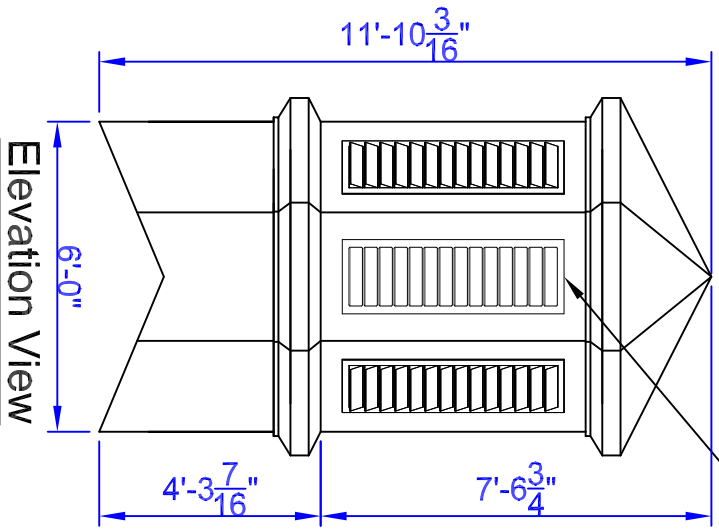
	602
	106
	112
	502

Optional Cupola Finials

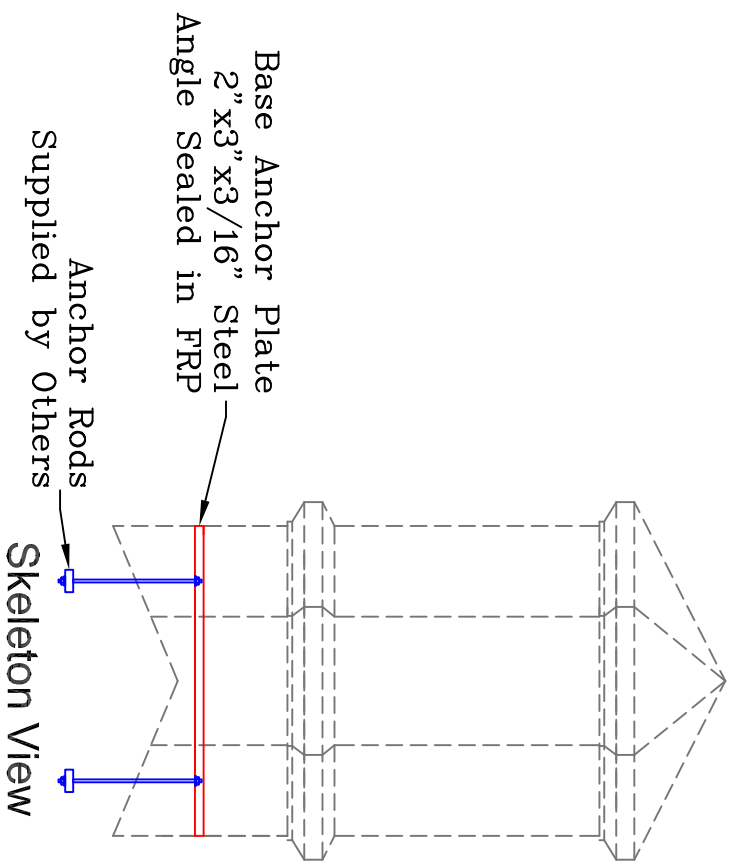
	36" Cross 8"Ø Sphere		36" Aluminum Spire 8"Ø Sphere
---	-------------------------	---	----------------------------------

Weather/vane selection at:
www.whitehallproducts.com

Base Panels – See Available Options Above




Note: All drawings are the property of Piedmont Fiberglass. Dimensions & designs may be altered to accommodate manufacturing.



Anchor Rods Supplied by Others

Skeleton View



Piedmont Fiberglass
 INCORPORATED

Piedmont Fiberglass Inc.
 PO Box 1089
 Taylorsville, NC 28681
 Phone: 828-632-8883
 Fax: 828-632-5585
www.piedmontfiberglass.com

Model: **Cupola**

Scale: **scale**
 Drawn By: **TJD/JEM**
 Created On: **2/12/07**
 Updated On: **11/9/10**

Old Fashioned Craftsmanship With Modern Composites' Technology