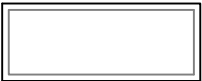
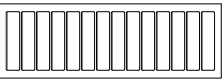
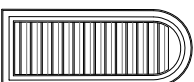



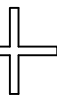
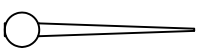


**Cupola Data**  
 Overall Height = 14'  
 Base Width = 6'  
 Unit Weight = 800 lbs.

**Available Standard Panels**

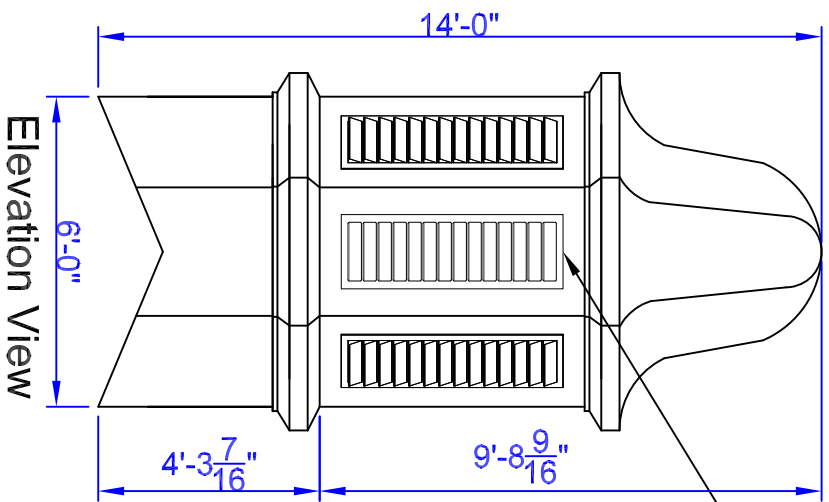
	<b>602</b>
	<b>106</b>
	<b>112</b>
	<b>502</b>

Labels: Decorative, Sq. Louver, Round Top Louver, Scalloped

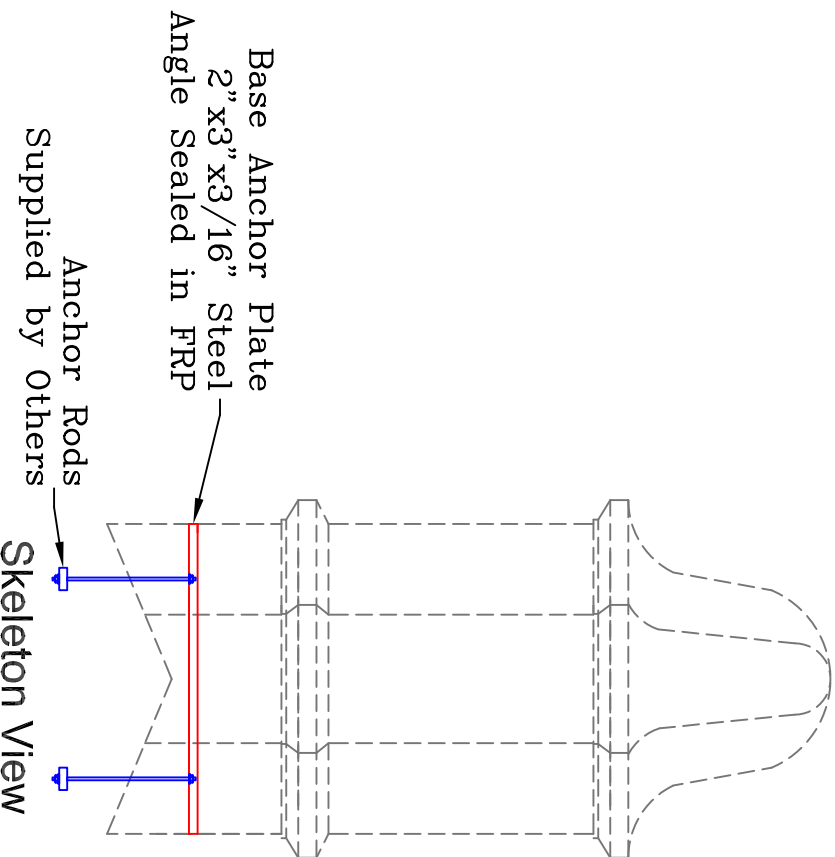
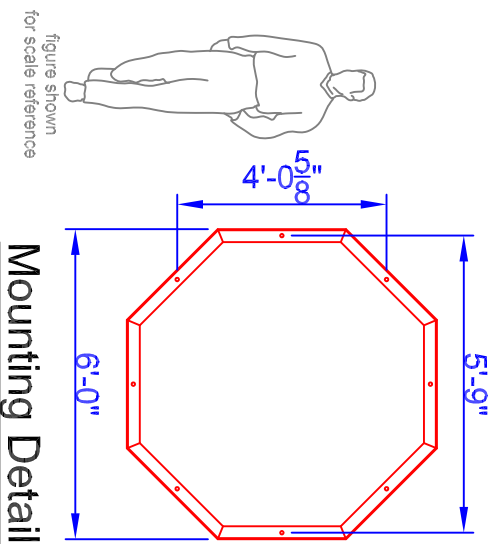
**Optional Cupola Finials**

	<b>36" Cross</b>		<b>36" Aluminum Spire</b>
	<b>8"Ø Sphere</b>		<b>8"Ø Sphere</b>

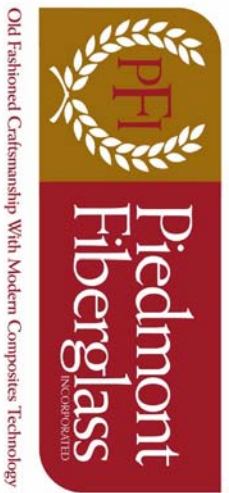
Weather/vane selection at:  
[www.whitehallproducts.com](http://www.whitehallproducts.com)



Base Panels – See Available Options Above



Note: All drawings are the property of Piedmont Fiberglass. Dimensions & designs may be altered to accommodate manufacturing.



Old Fashioned Craftsmanship With Modern Composites Technology

**Piedmont Fiberglass Inc.**  
 PO Box 1089  
 Taylorsville, NC 28681  
 Phone: 828-632-8883  
 Fax: 828-632-5585  
[www.piedmontfiberglass.com](http://www.piedmontfiberglass.com)

**Cupola**  
 Model: **600-LR**

Scale: **scale**  
 Drawn By: **TJD/JEM**  
 Created On: **2/12/07**  
 Updated On: **11/9/10**