

Cupola Data
 Overall Height = 11' 10 3/16"
 Base Width = 6'
 Unit Weight = 800 lbs.

Optional Window Panels

- 310 Keystone
- 303 Venetian
- 309 Round Top
- 301 Squared

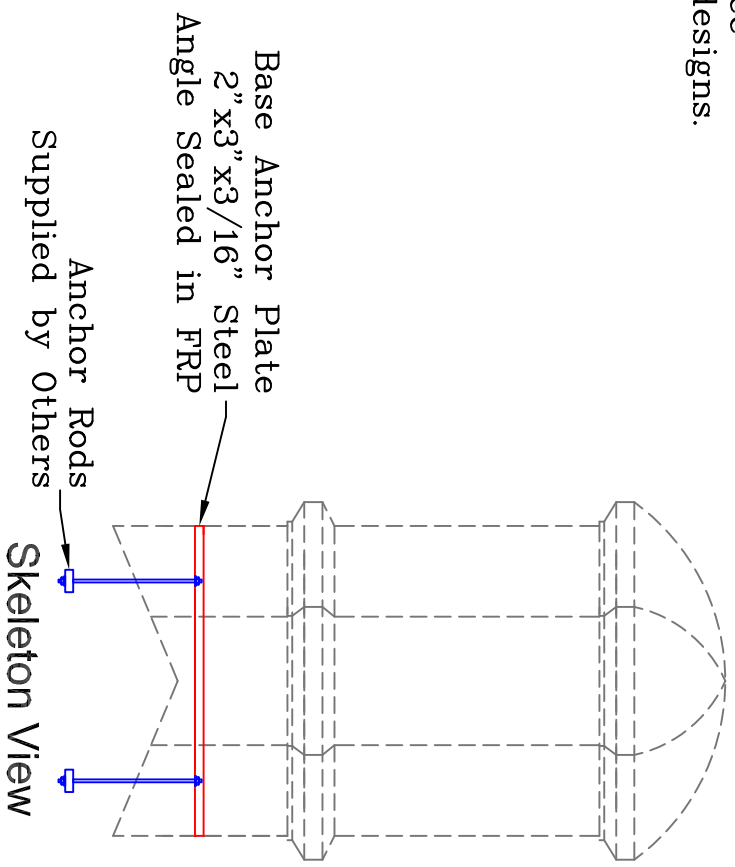
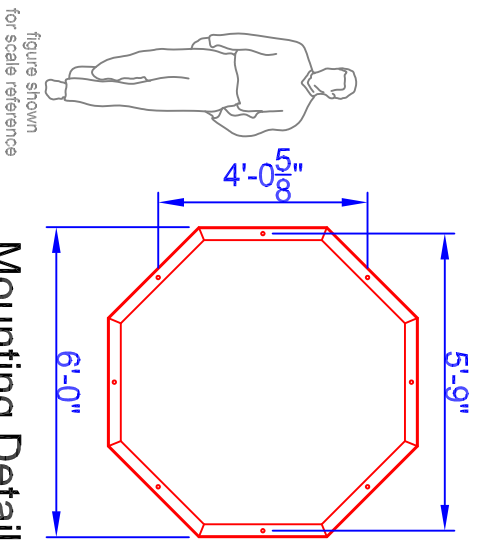
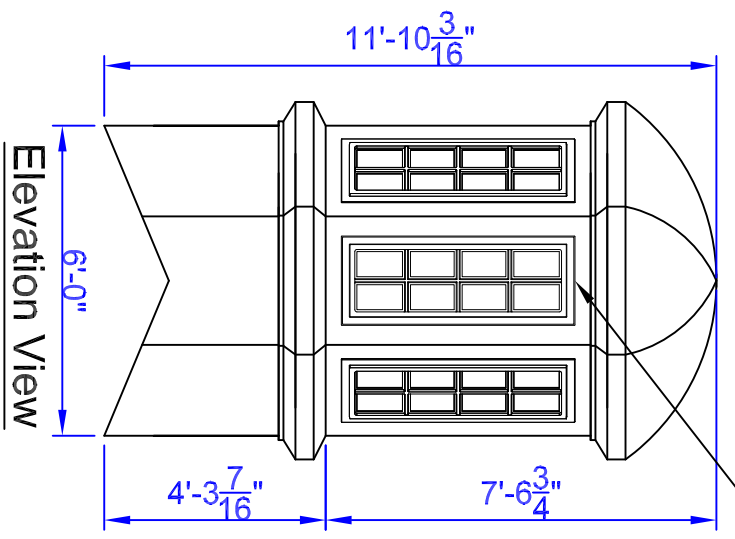
Note: Windows also available without panes.

Optional Cupola Finials

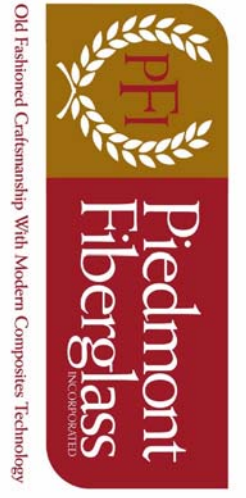
- 36" Cross
- 36" Aluminum Spire
- 8"Ø Sphere
- 8"Ø Sphere

Weather/vane selection at:
www.whitehallproducts.com

Base Panels: WD comes standard with 8 K-glass windows. See above for optional window designs.



Note: All drawings are the property of Piedmont Fiberglass. Dimensions & designs may be altered to accommodate manufacturing.



Piedmont Fiberglass Inc.
 PO Box 1089
 Taylorsville, NC 28681
 Phone: 828-632-8883
 Fax: 828-632-5585
www.piedmontfiberglass.com

Model: **Cupola**

Scale: **scale**
 Drawn By: **TJD/JEM**
 Created On: **2/12/07**
 Updated On: **11/9/10**

Old Fashioned Craftsmanship With Modern Composites Technology