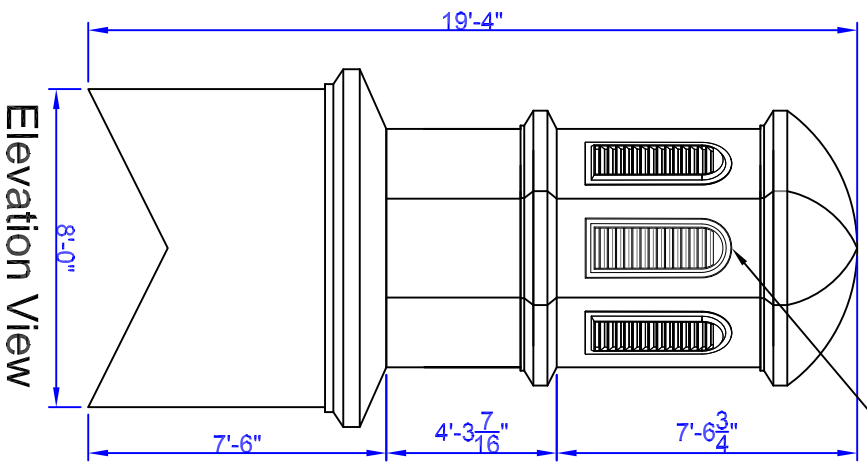


**Cupola Data**  
 Overall Height = 19'4"  
 Base Width = 8'  
 Unit Weight = 1,800 lbs.

Base Panels – See Available Options Above



**Elevation View**

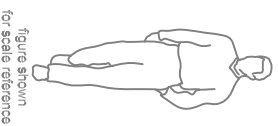
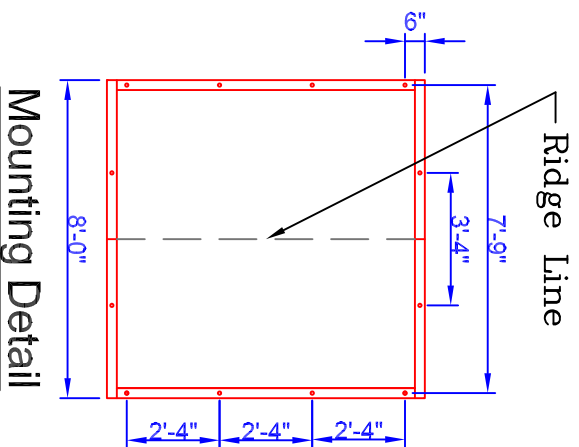


figure shown for scale reference



**Mounting Detail**

**Available Standard Panels**

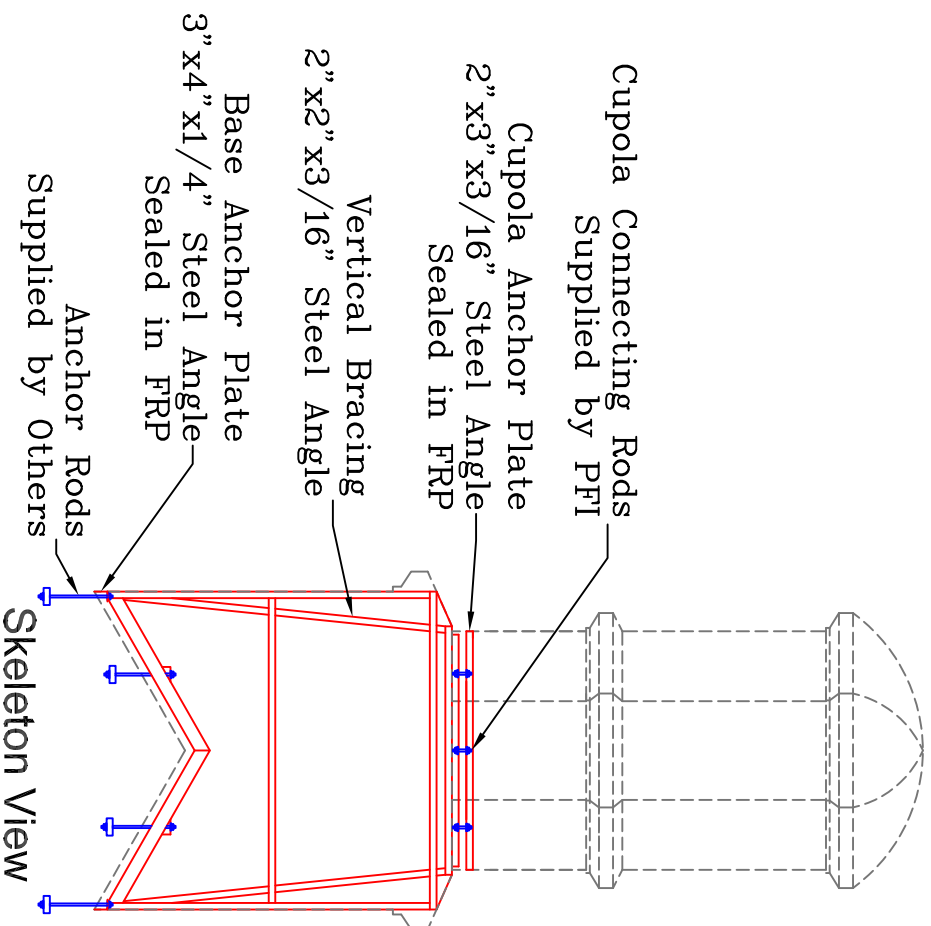
- 602 Decorative
- 106 Sq. Louver
- 112 Round Top Louver
- 502 Scallop

**Optional Cupola Finials**

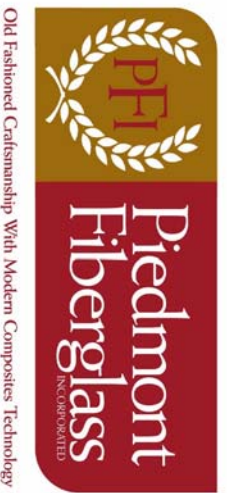
- 36" Cross 8"Ø Sphere
- 36" Aluminum Spire 8"Ø Sphere

Weatherware selection at: [www.whitehallproducts.com](http://www.whitehallproducts.com)

Note: All drawings are the property of Piedmont Fiberglass. Dimensions & designs may be altered to accommodate manufacturing.



**Skeleton View**



Old Fashioned Craftsmanship With Modern Composites' Technology

**Piedmont Fiberglass Inc.**  
 PO Box 1089  
 Taylorsville, NC 28681  
 Phone: 828-632-8883  
 Fax: 828-632-5585  
[www.piedmontfiberglass.com](http://www.piedmontfiberglass.com)

**Cupola**

Model: **680-LD**

Scale: **scale**

Drawn By: **TJD/JEM**

Created On: **9/7/07**

Updated On: **11/9/10**