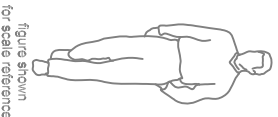
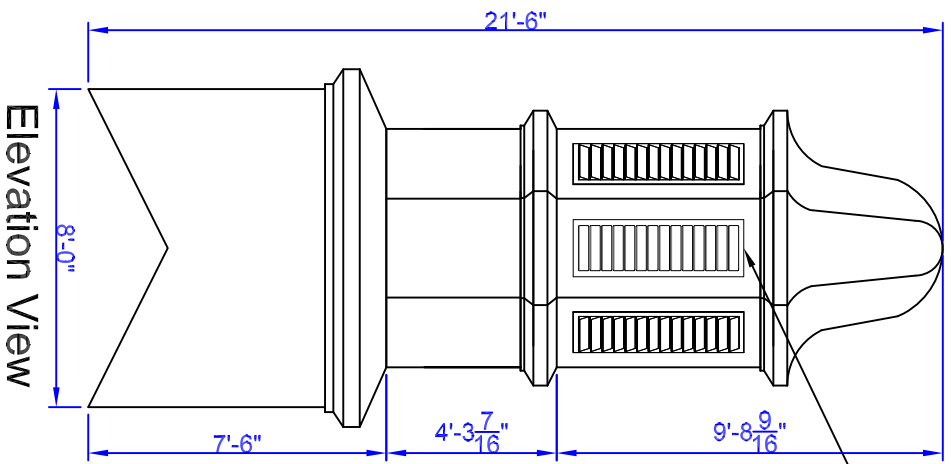


Cupola Data
 Overall Height = 21'6"
 Base Width = 8'
 Unit Weight = 1,800 lbs.



Base Panels – See Available Options Above

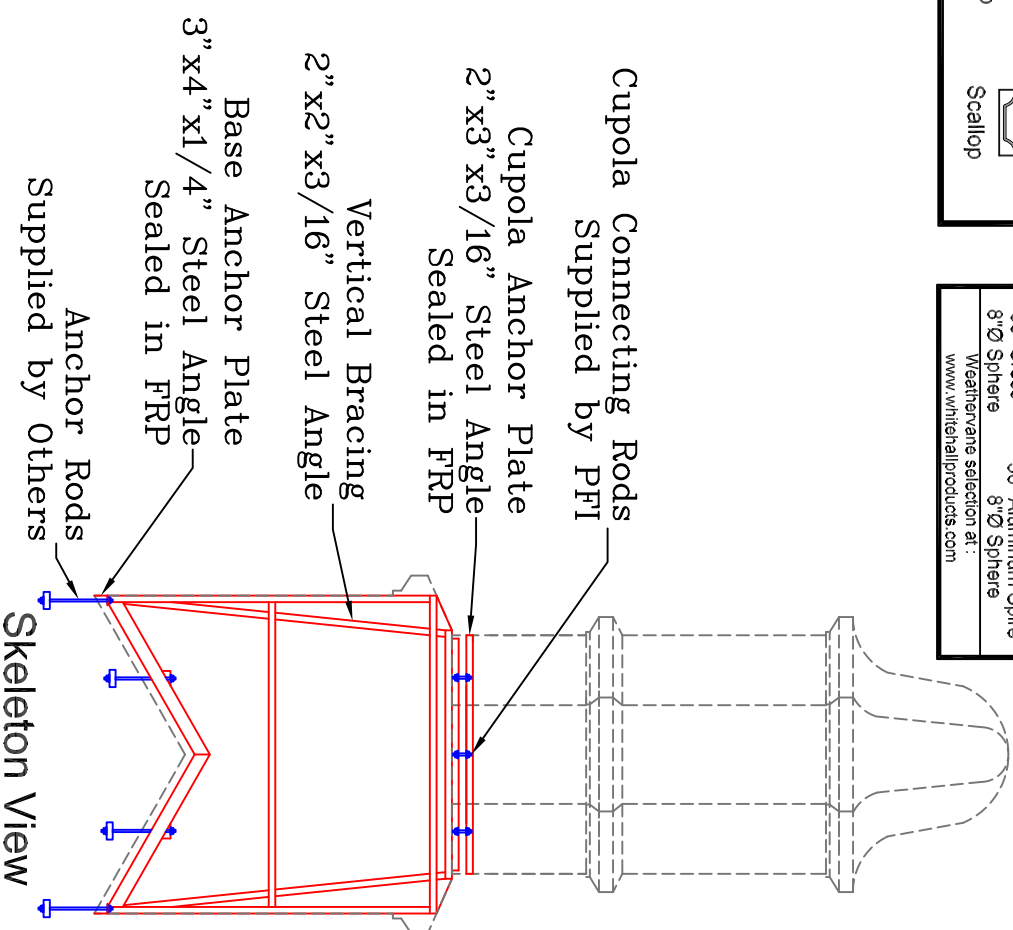
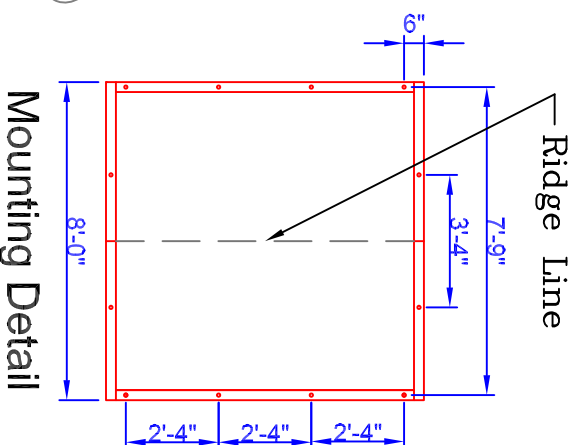
Available Standard Panels

602	Decorative
106	Sq. Louver
112	Round Top Louver
502	Scallop

Optional Cupola Finials

36" Cross 8"Ø Sphere	36" Aluminum Spire 8"Ø Sphere
----------------------	-------------------------------

Weatherware selection at: www.whitehallproducts.com



Note: All drawings are the property of Piedmont Fiberglass. Dimensions & designs may be altered to accommodate manufacturing.



Piedmont Fiberglass Inc.
 PO Box 1089
 Taylorsville, NC 28681
 Phone: 828-632-8883
 Fax: 828-632-5585
www.piedmontfiberglass.com

Cupola
 Model: **680-LR**
 Scale: scale
 Drawn By: TJD/JEM
 Created On: 9/7/07
 Updated On: 1/1/10/10