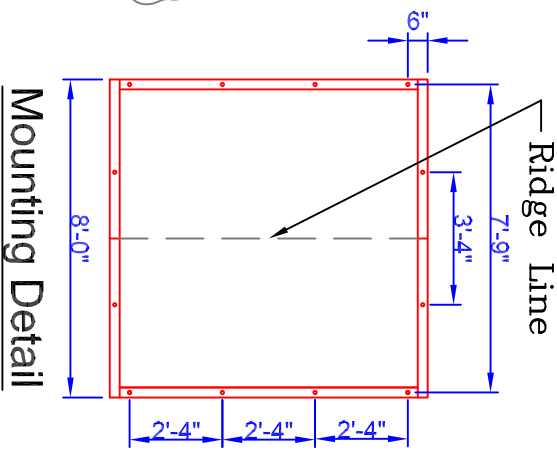
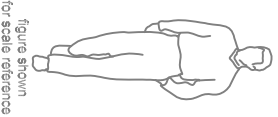
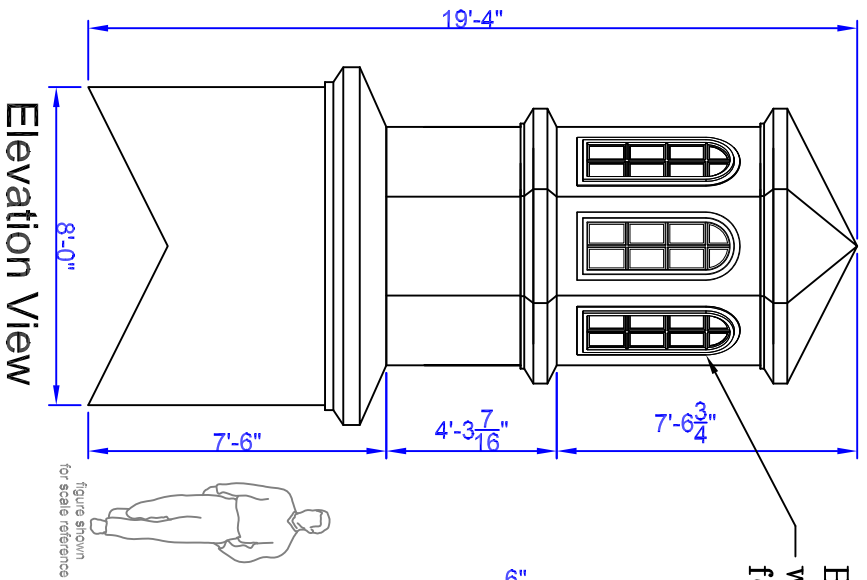


Cupola Data
 Overall Height = 19'4"
 Base Width = 8'
 Unit Weight = 1,800 lbs.



Base Panels: WPK comes standard with 8 K-glass windows. See above for optional window designs.

Optional Window Panels

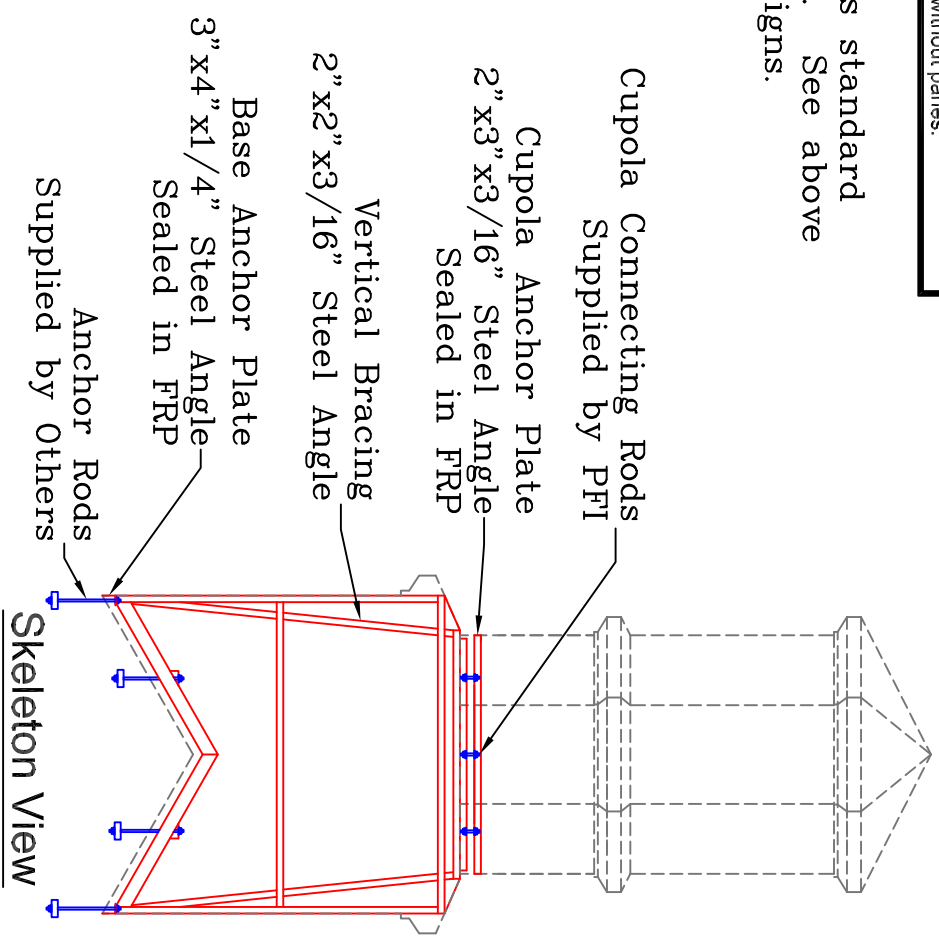
- 310 Keystone
- 303 Venetian
- 309 Round Top
- 301 Squared

Note: Windows also available without panes.

Optional Cupola Finials

- 36" Cross 8"Ø Sphere
- 36" Aluminum Spire 8"Ø Sphere

Weatherware selection at: www.whitehallproducts.com



Note: All drawings are the property of Piedmont Fiberglass. Dimensions & designs may be altered to accommodate manufacturing.



Piedmont Fiberglass Inc.
 PO Box 1089
 Taylorsville, NC 28681
 Phone: 828-632-8883
 Fax: 828-632-5585
www.piedmontfiberglass.com

Cupola
 Model: **680-WPK**

Scale: **scale**
 Drawn By: **TJD/JEM**
 Created On: **9/7/07**
 Updated On: **11/10/10**

Old Fashioned Craftsmanship With Modern Composites Technology