

**Cupola Data**  
 Overall Height = 16'  
 Base Width = 4'  
 Unit Weight = 300 lbs.

**Optional Cupola Finials**

36" Cross  
8"Ø Sphere

36" Aluminum Spire  
8"Ø Sphere

Weathervane selection at:  
www.whitehallproducts.com

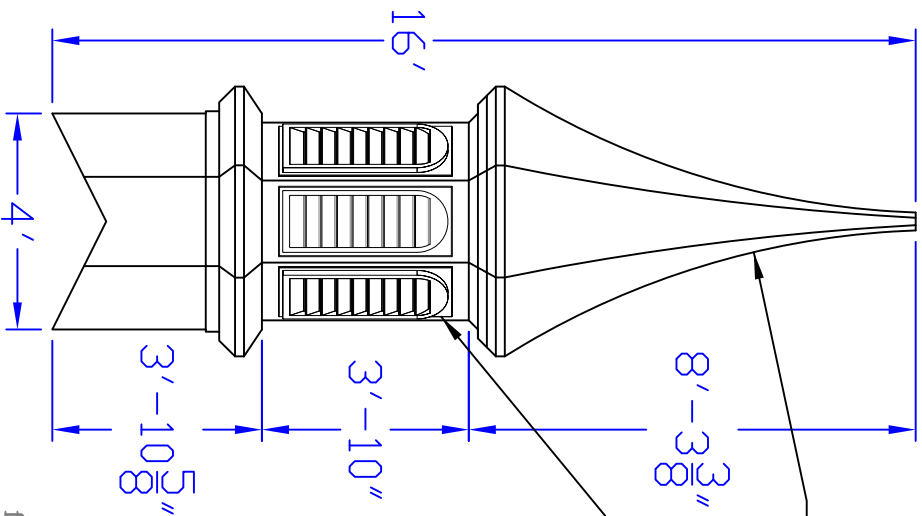
**Available Standard Panels**

601 Decorative

104 Sq. Louver

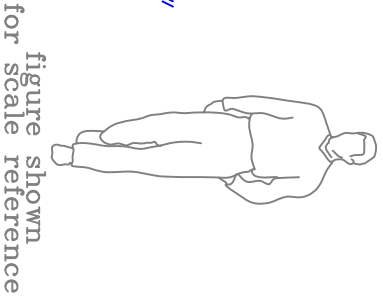
108 Round Top Louver

501 Scallop

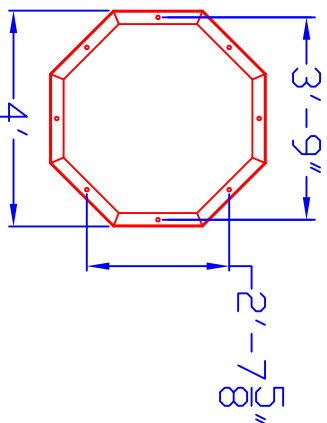


Single Piece Fiberglass Shell

Base Panels – See Available Options Above



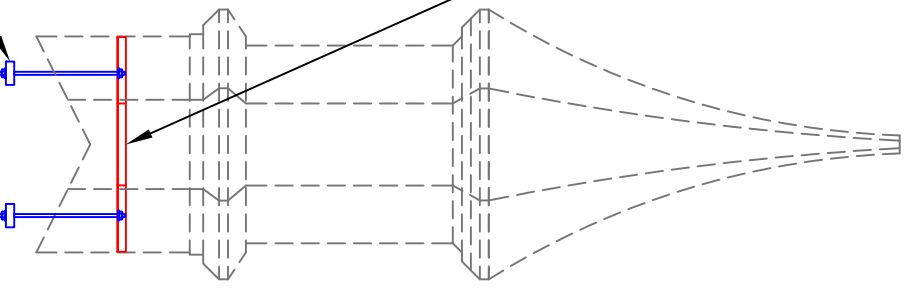
**Mounting Detail**



Base Anchor Plate  
 2" x 3" x 3/16" Steel Angle  
 Sealed in FRP

Anchor Rods  
 Supplied by others

**Skeleton View**



Note: All drawings are the property of Piedmont Fiberglass Inc. Dimensions and designs may be altered slightly to accommodate manufacturing.



P.O. Box 1089  
 Taylorsville, NC 28681  
 Phone: 828-632-8883 Fax: 828-632-5585  
 www.PiedmontFiberglass.com

Model: **CUPOLA**

**700-L**

Scale: **SCALE**  
 Drawn by: **JEM**  
 Created On: **10/19/10**  
 Updated On: **1/15/10**