

**Cupola Data**  
**Overall Height = 17'**  
**Base Width = 5'**  
**Unit Weight = 575 lbs.**

**Optional Cupola Finials**

36" Cross  
8"Ø Sphere

36" Aluminum Spire  
8"Ø Sphere

Weathervane selection at:  
www.whitehallproducts.com

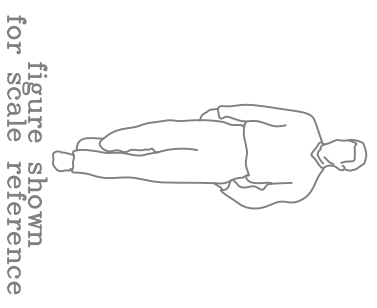
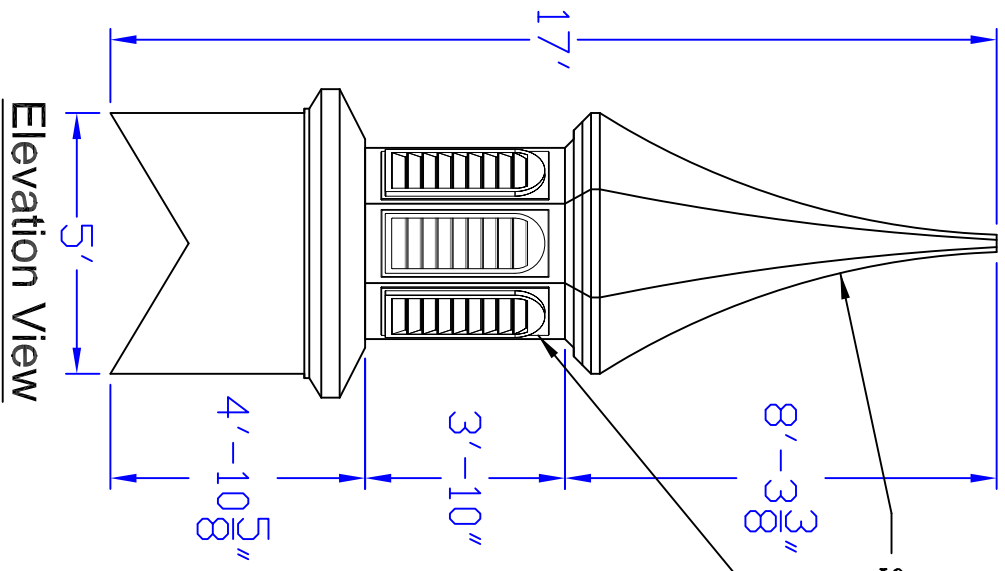
**Available Standard Panels**

601 Decorative

104 Sq. Louver

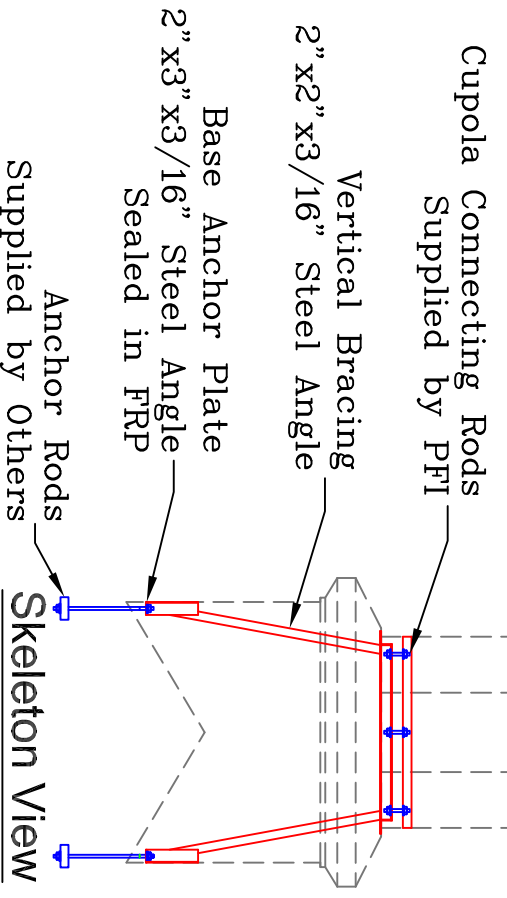
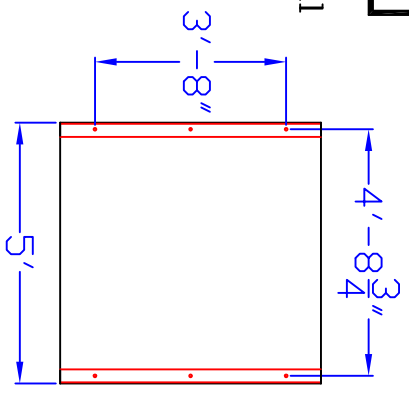
108 Round Top Louver

501 Scallop

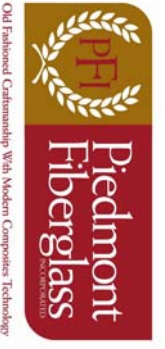


Single Piece Fiberglass Shell

Base Panels – See Available Options Above



Note: All drawings are the property of Piedmont Fiberglass Inc. Dimensions and designs may be altered slightly to accommodate manufacturing.



P.O. Box 1089  
 Taylorsville, NC 28681  
 Phone: 828-632-8883 Fax: 828-632-5585  
 www.PiedmontFiberglass.com

**CUPOLA**

Model:

**710-L**

Scale:  
 Drawn by: JEM  
 Created On 10/20/10  
 Updated On 1/15/10