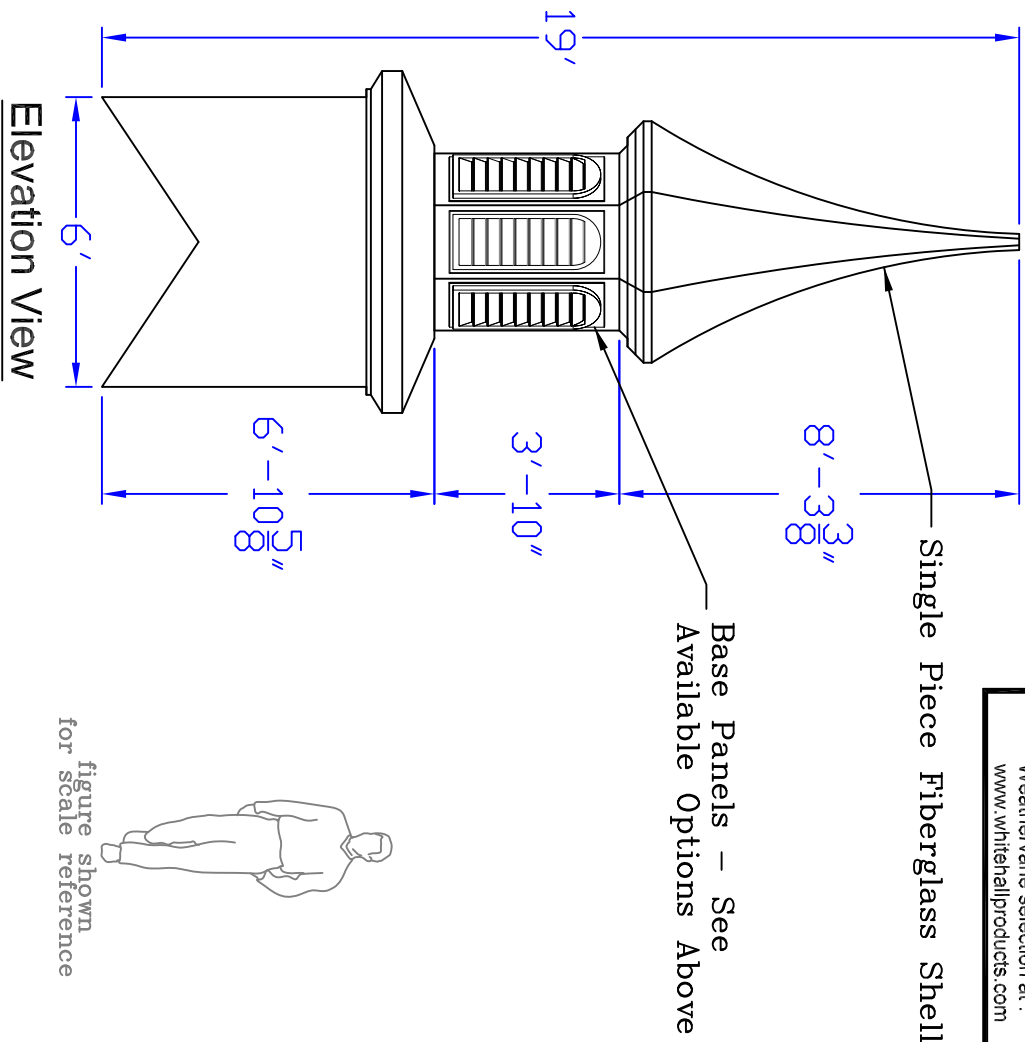


**Cupola Data**  
**Overall Height = 19'**  
**Base Width = 6'**  
**Unit Weight = 800 lbs.**

**Optional Cupola Finials**

36" Cross 8"Ø Sphere  
 36" Aluminum Spire 8"Ø Sphere  
 Weather vane selection at :  
[www.whitehallproducts.com](http://www.whitehallproducts.com)



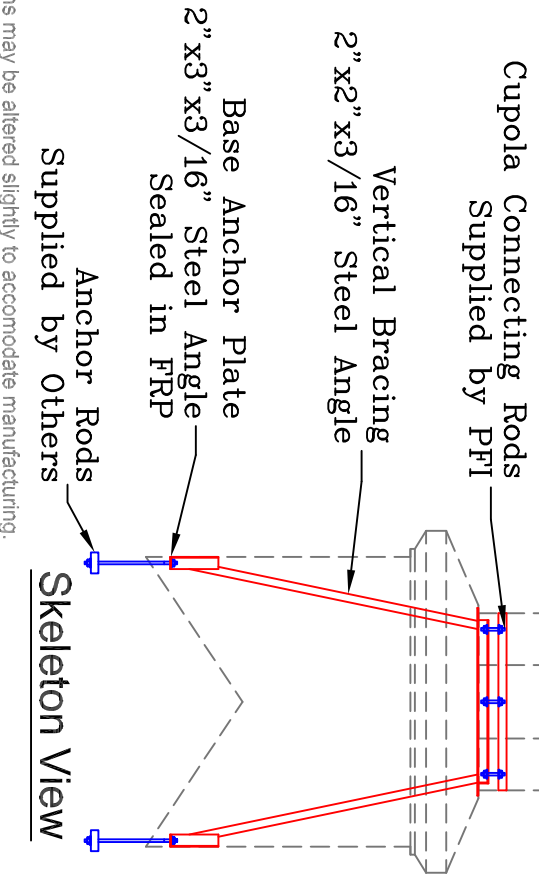
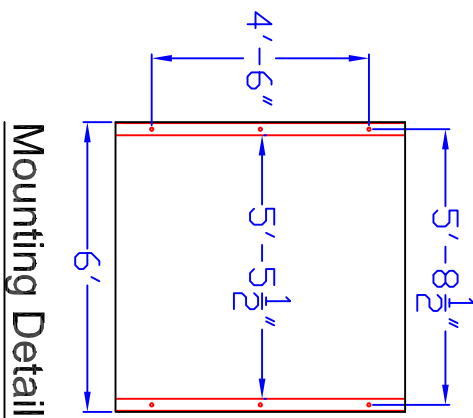
**Available Standard Panels**

601 Decorative

104 Sq. Louver

108 Round Top Louver

501 Scallop



Note: All drawings are the property of Piedmont Fiberglass Inc. Dimensions and designs may be altered slightly to accommodate manufacturing.



P.O. Box 1089  
 Taylorsville, NC 28681  
 Phone: 828-632-8883 Fax: 828-632-5585  
[www.PiedmontFiberglass.com](http://www.PiedmontFiberglass.com)

**CUPOLA**

Model : **730-L**

Scale:  
 Drawn by: JEM  
 Created On 10/20/10  
 Updated On 11/15/10