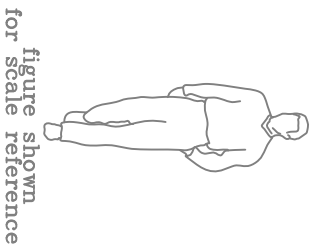
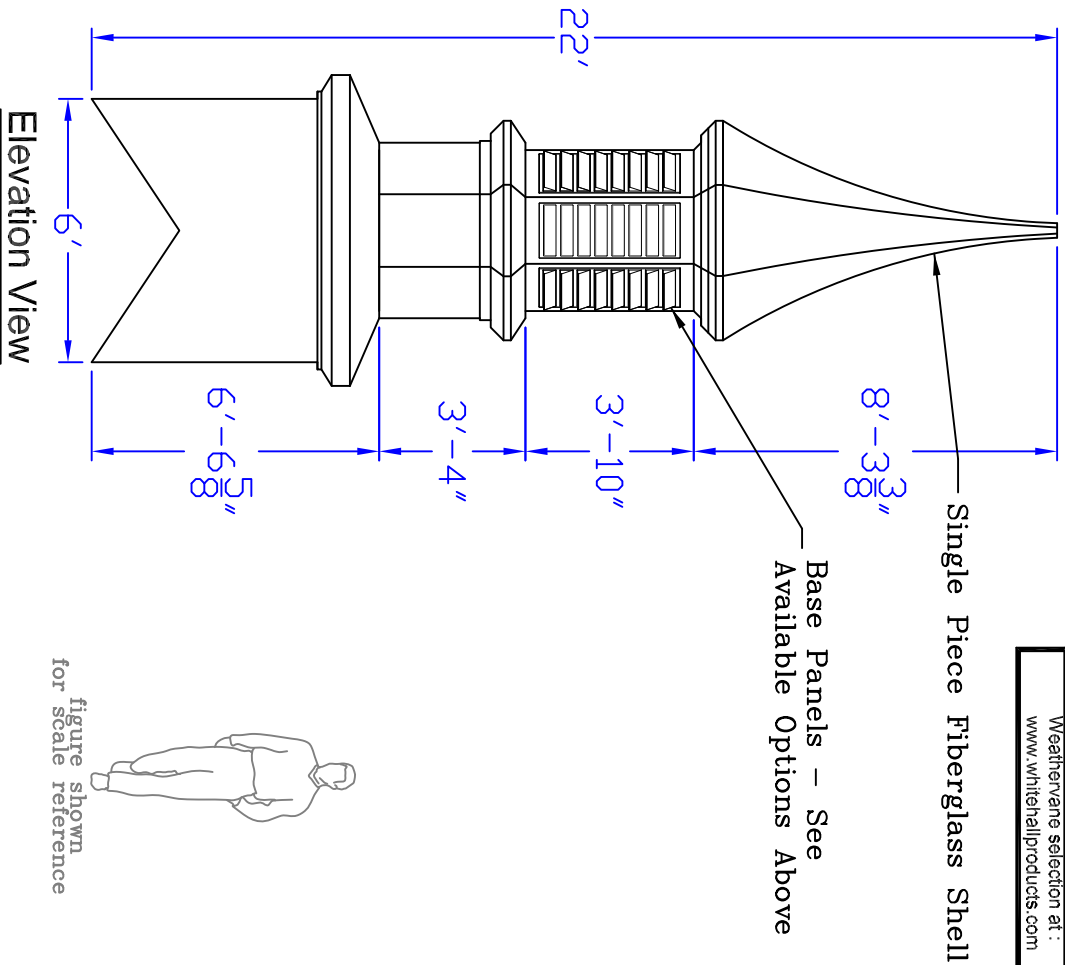


Cupola Data
 Overall Height = 22'
 Base Width = 6'
 Unit Weight = 925 lbs.



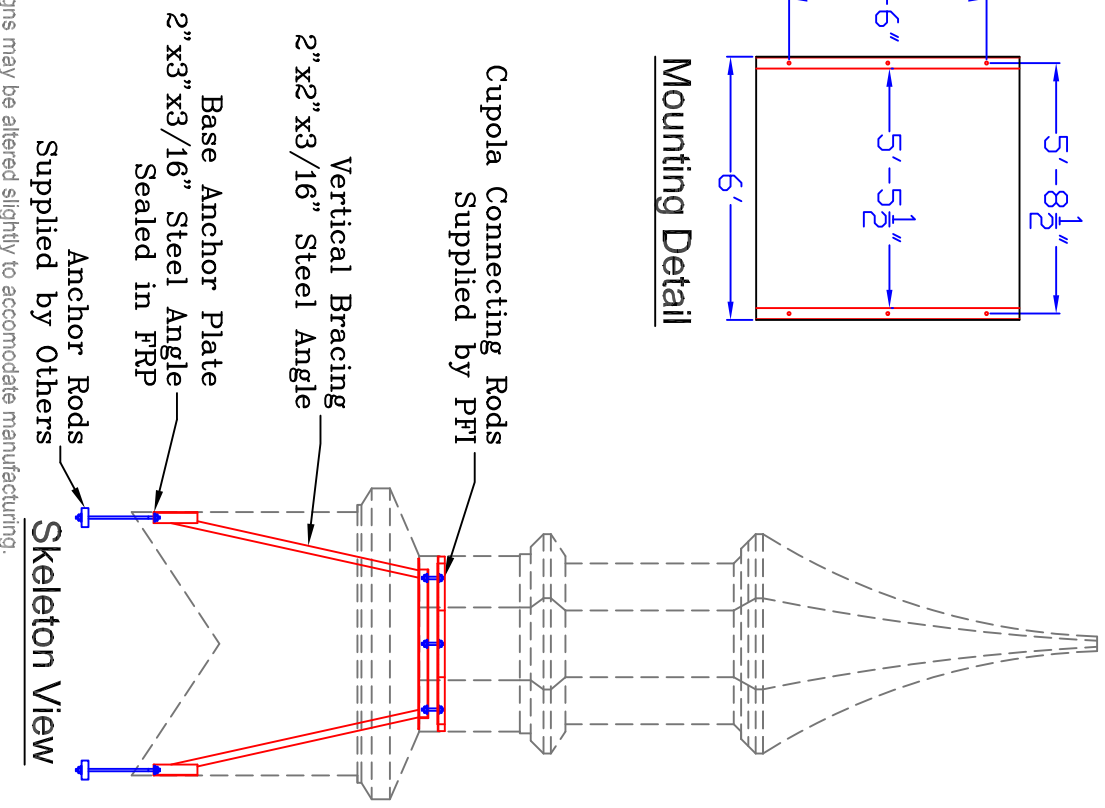
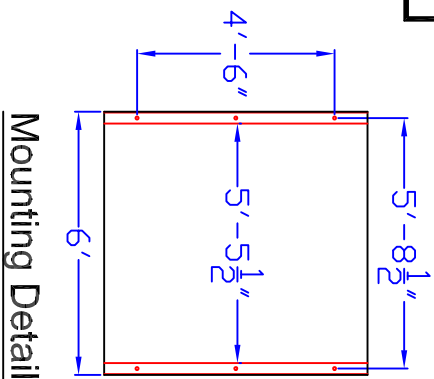
Optional Cupola Finials

- 36" Cross 8"Ø Sphere
- 36" Aluminum Spire 8"Ø Sphere

Weatherane selection at:
www.whitehallproducts.com

Available Standard Panels

- 601 Decorative
- 104 Sq. Louver
- 108 Round Top Louver
- 501 Scallop



Note: All drawings are the property of Piedmont Fiberglass Inc. Dimensions and designs may be altered slightly to accommodate manufacturing.



P.O. Box 1089
 Taylorsville, NC 28681
 Phone: 828-632-8883 Fax: 828-632-5585
www.PiedmontFiberglass.com

CUPOLA

Model: **740-L**

Scale: **SCALE**
 Drawn by: **JEM**
 Created On: **10/20/10**
 Updated On: **1/15/10**