

Cupola Data
Overall Height = 19'
Base Width = 6'
Unit Weight = 800 lbs.

Optional Cupola Finials

36" Cross
8"Ø Sphere

36" Aluminum Spire
8"Ø Sphere

Weather vane selection at:
www.whitehallproducts.com

Optional Window Panels

304 Keystone

311 Squared

306 Round Top

Note: Windows also available without panes.

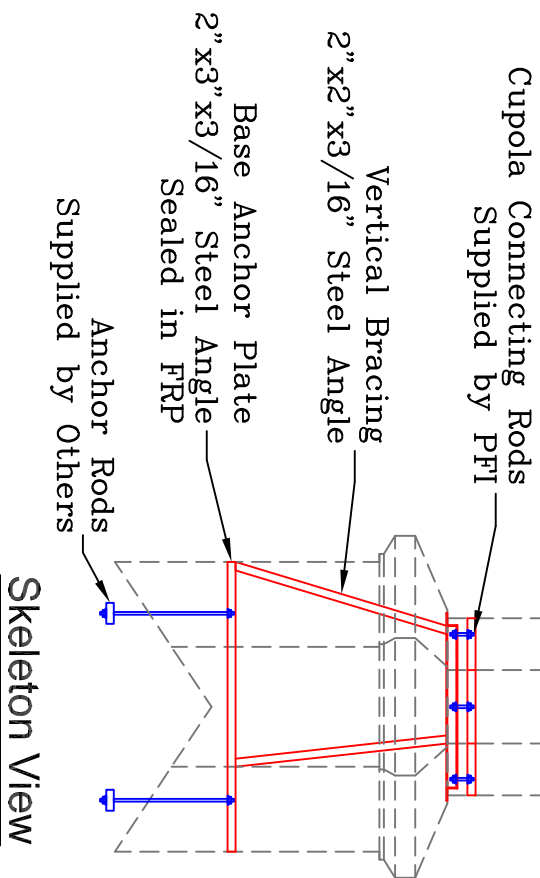
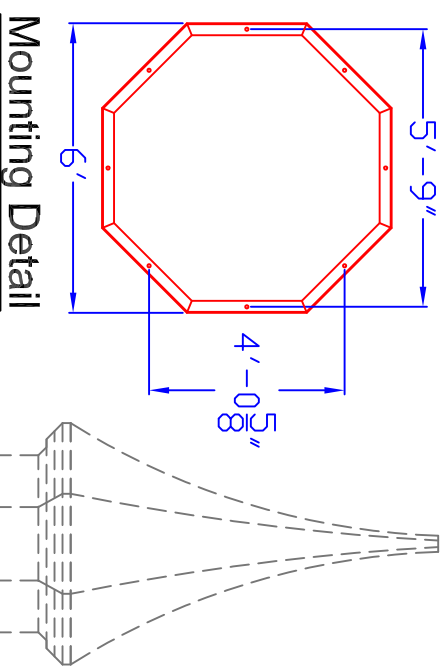
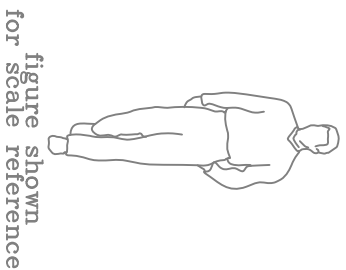
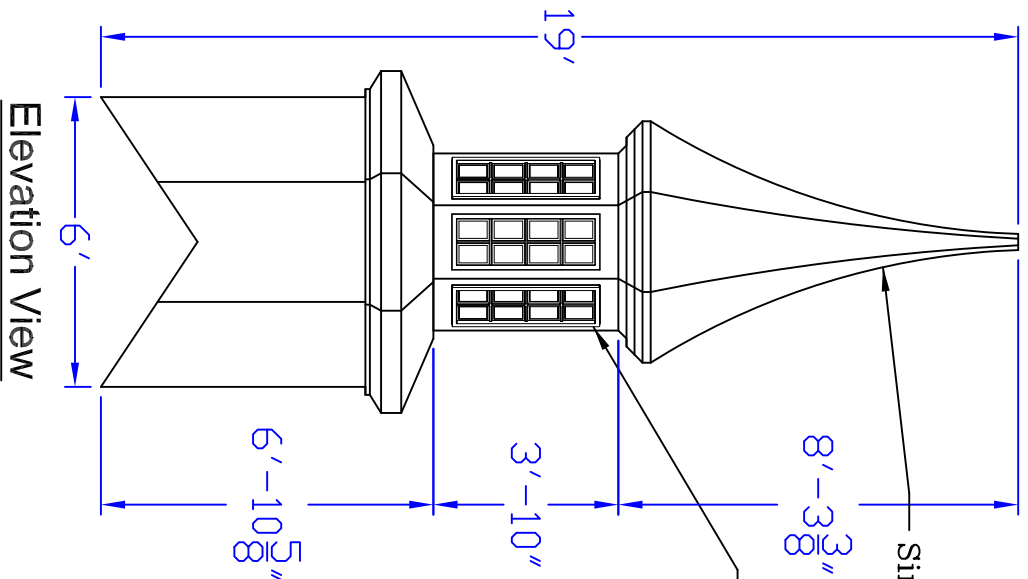
Single Piece Fiberglass Shell

8'- $3\frac{3}{8}$ "

3'-10"

6'-10 $\frac{5}{8}$ "

Base Panels: 750-W Comes Standard With 8 K-Glass Windows. See Above for Optional Window Designs



Note: All drawings are the property of Piedmont Fiberglass Inc. Dimensions and designs may be altered slightly to accommodate manufacturing.



P.O. Box 1089
 Taylorsville, NC 28681
 Phone: 828-632-8883 Fax: 828-632-5585
 www.PiedmontFiberglass.com

Model: **CUPOLA**

750-W

Scale:
 Drawn by: JEM
 Created On 10/20/10
 Updated On 1/15/10