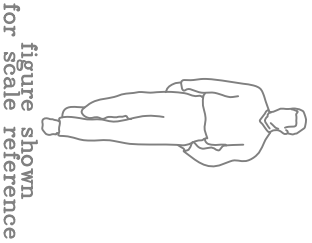
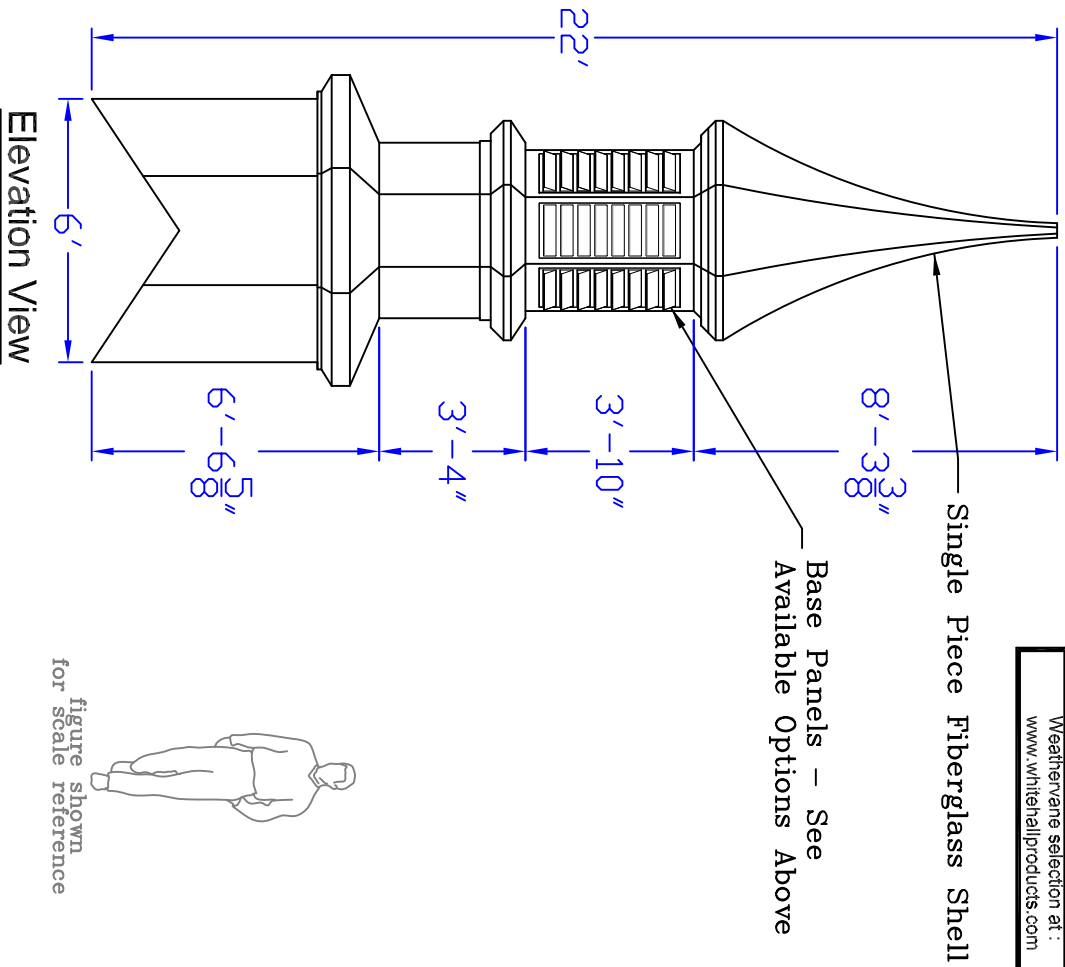


Cupola Data
 Overall Height = 22'
 Base Width = 6'
 Unit Weight = 925 lbs.

Optional Cupola Finials

36" Cross
8"Ø Sphere
Weatherane selection at:
www.whitehallproducts.com

36" Aluminum Spire
8"Ø Sphere



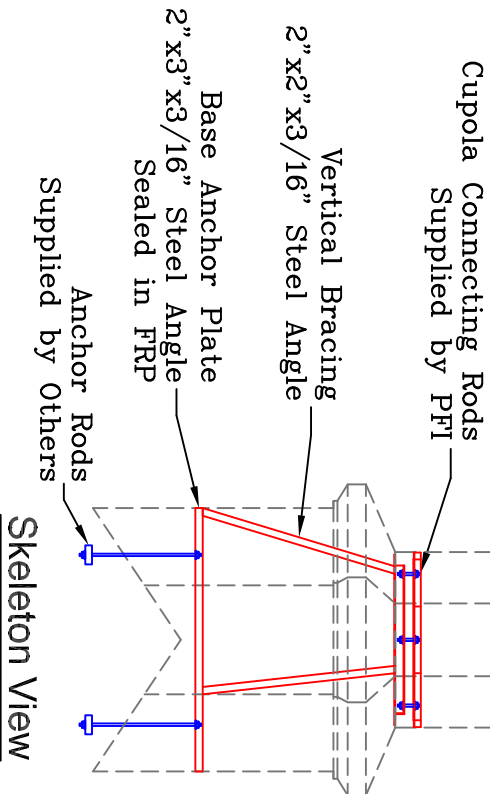
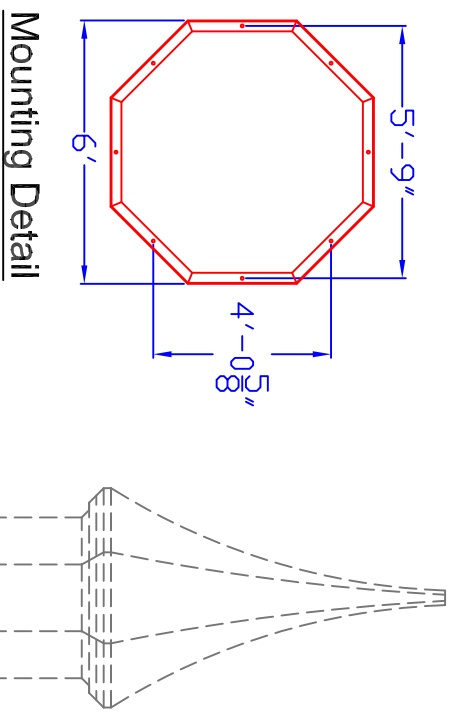
Available Standard Panels

601 Decorative

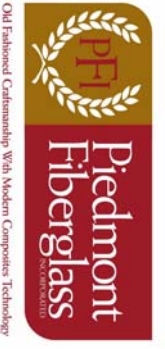
104 Sq. Louver

108 Round Top Louver

501 Scallop



Note: All drawings are the property of Piedmont Fiberglass Inc. Dimensions and designs may be altered slightly to accommodate manufacturing.



P.O. Box 1089
 Taylorsville, NC 28681
 Phone: 828-632-8883 Fax: 828-632-5585
 www.PiedmontFiberglass.com

CUPOLA

Model :

760-L

Scale:
 Drawn by: JEM
 Created On 10/20/10
 Updated On 1/15/10