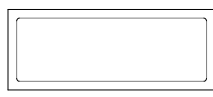
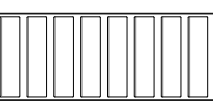
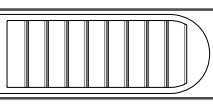
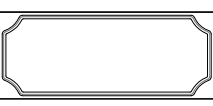
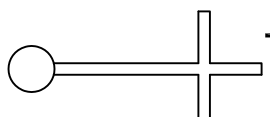
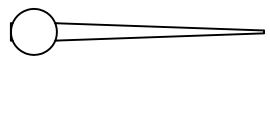


Cupola Data
 Overall Height = 7'
 Base Width = 3'-8"
 Unit Weight = 125 lbs.

Available Standard Panels

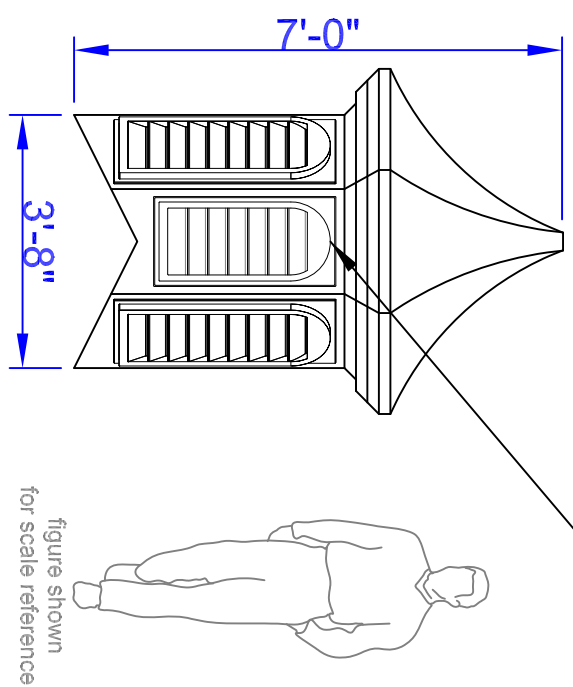
601		Decorative
104		Sq. Louver
108		Round Top Louver
501		Scalloped

Optional Cupola Finials

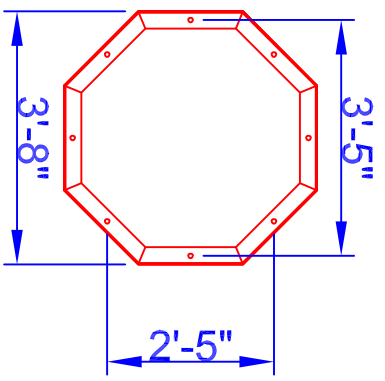
	36" Cross 8"Ø Sphere
	36" Aluminum Spire 8"Ø Sphere

Weathervane selection at :
www.whitehallproducts.com

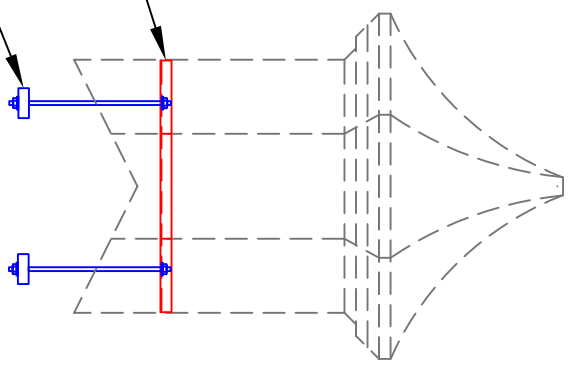
Base Panels – See Available Options Above



Mounting Detail

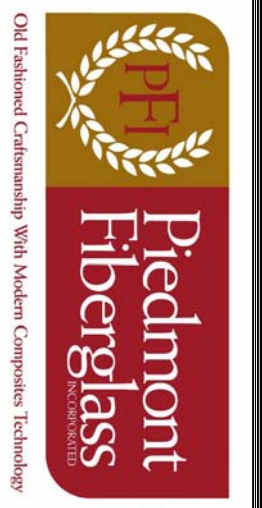


Base Anchor Plate
 2" x3" x3/16" Steel Angle
 Sealed in FRP
 Anchor Rods
 Supplied by Others



Skeleton View

Note: All drawings are the property of Piedmont Fiberglass. Dimensions & designs may be altered to accommodate manufacturing.



Piedmont Fiberglass
 INCORPORATED

Piedmont Fiberglass Inc.
 PO Box 1089
 Taylorsville, NC 28681
 Phone: 828-632-8883
 Fax: 828-632-5585
www.piedmontfiberglass.com

Cupola	Scale: scale
Model: 800-LP	Drawn By: TJD/JEM
	Created On: 2/10/07
	Updated On: 1/11/11