
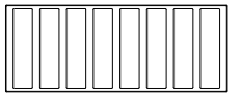
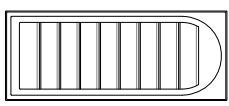
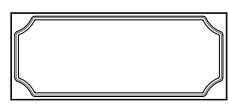
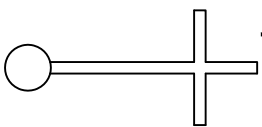
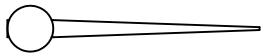


Cupola Data
 Overall Height = 7'
 Base Width = 3'-8"
 Unit Weight = 125 lbs.

Available Standard Panels

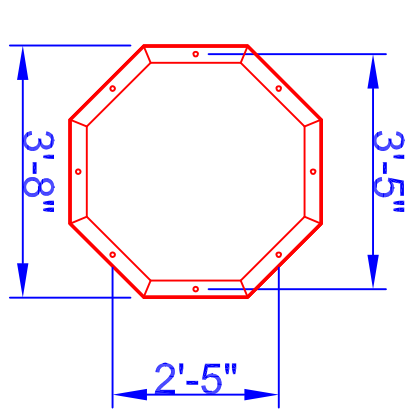
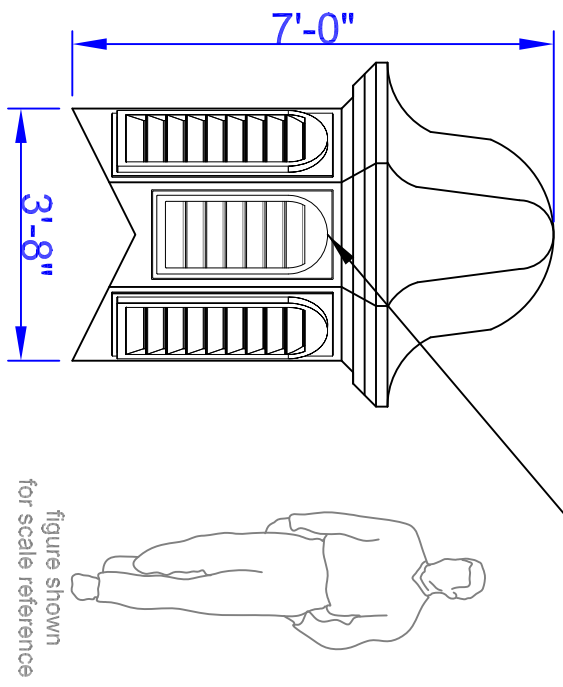
	601
	104
	108
	501

Optional Cupola Finials

	36" Cross 8"Ø Sphere
	36" Aluminum Spire 8"Ø Sphere

Weathervane selection at :
www.whitehallproducts.com

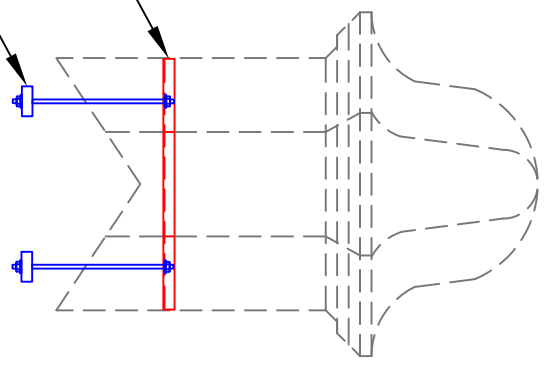
Base Panels – See Available Options Above



Mounting Detail

Base Anchor Plate
 2" x3" x3/16" Steel Angle
 Sealed in FRP
 Anchor Rods
 Supplied by Others

Skeleton View



Note: All drawings are the property of Piedmont Fiberglass. Dimensions & designs may be altered to accommodate manufacturing.

Piedmont Fiberglass
 ANODIZED

Piedmont Fiberglass Inc.
 PO Box 1089
 Taylorsville, NC 28681
 Phone: 828-632-8883
 Fax: 828-632-5585
www.piedmontfiberglass.com

Model:
Cupola

Scale: **scale**
 Drawn By: **TJD/JEM**
 Created On: **2/11/07**
 Updated On: **11/11/10**

800-LR

Old Fashioned Craftsmanship With Modern Composites Technology