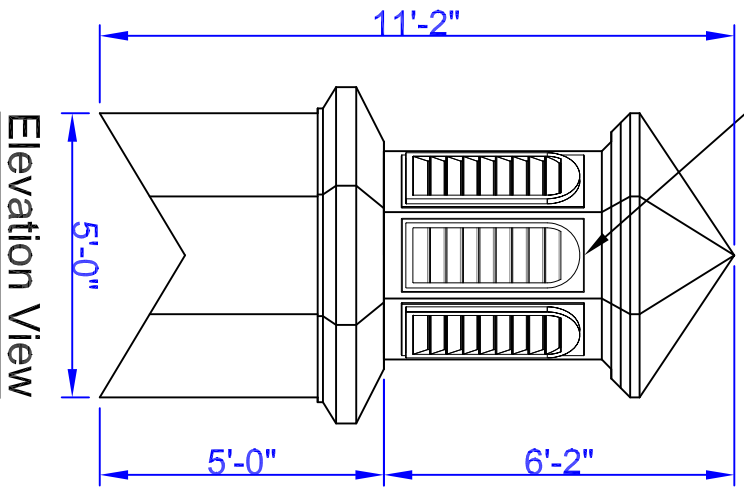
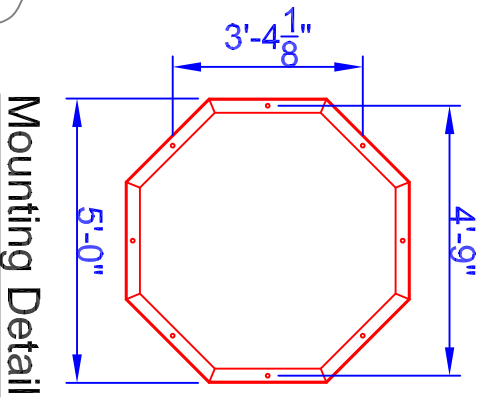
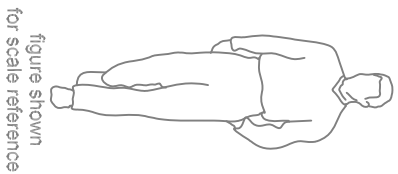


Cupola Data
 Overall Height = 11'-2"
 Base Width = 5'
 Unit Weight = 575 lbs.

Base Panels – See Available Options Above



Elevation View



Mounting Detail

Available Standard Panels

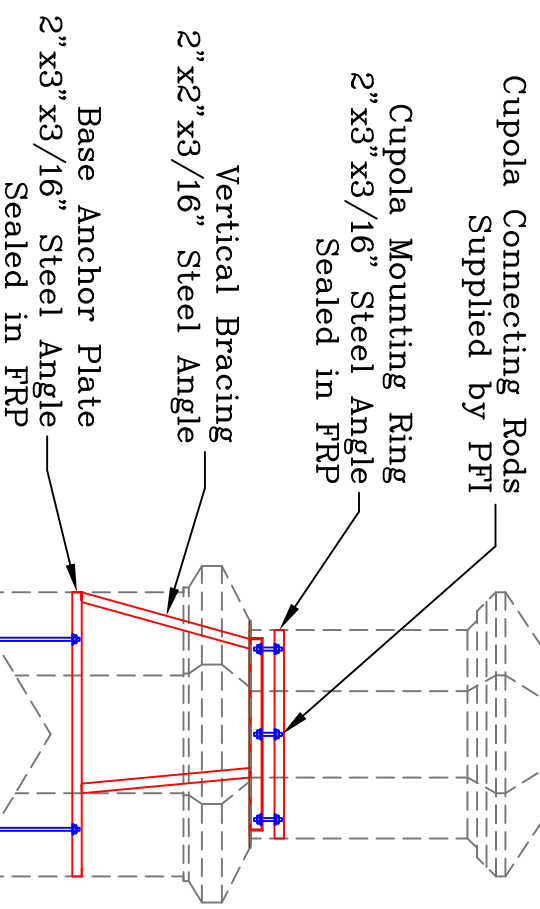
	601
	104
	108
	501

Optional Cupola Finials

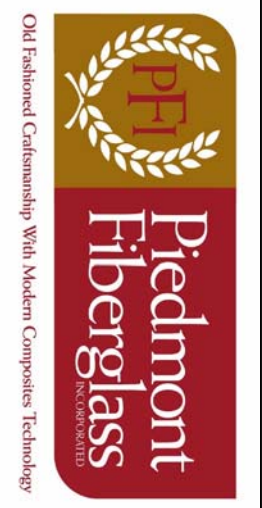
	36" Cross 8"Ø Sphere
	36" Aluminum Spire 8"Ø Sphere

Weatheravane selection at :
www.whitehallproducts.com

Note: All drawings are the property of Piedmont Fiberglass. Dimensions & designs may be altered to accommodate manufacturing.



Skeleton View



Piedmont Fiberglass Inc.
 PO Box 1089
 Taylorsville, NC 28681
 Phone: 828-632-8883
 Fax: 828-632-5585
www.piedmontfiberglass.com

Model: **Cupola**

830-SLPK

Scale: **scale**

Drawn By: **TJD/JEM**

Created On: **2/10/07**

Updated On: **11/12/10**