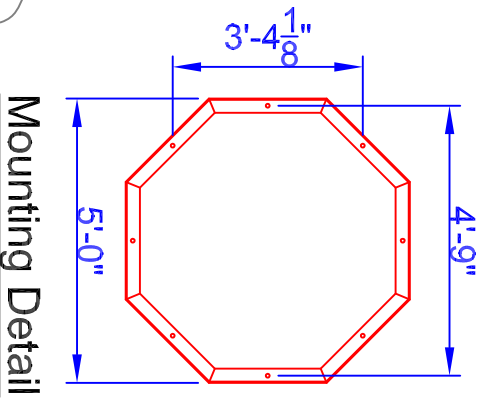
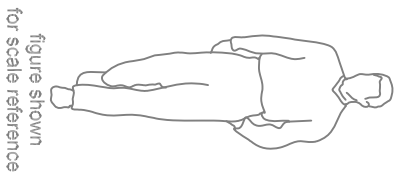
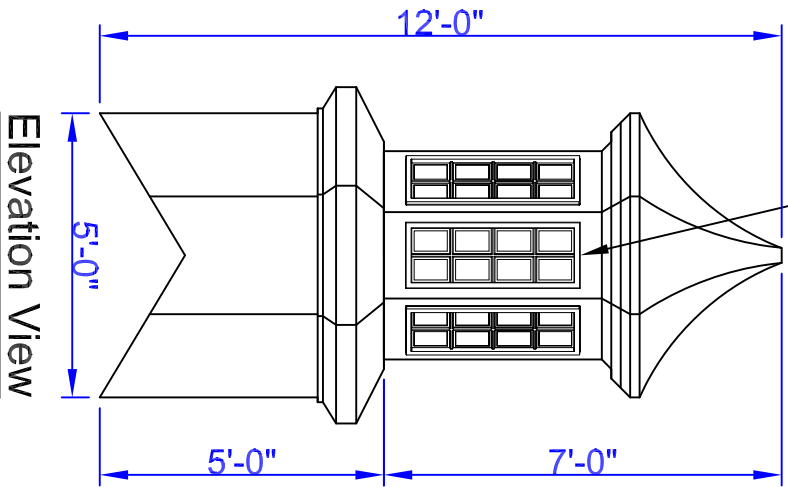


Cupola Data
 Overall Height = 12'
 Base Width = 5'
 Unit Weight = 575 lbs.

Base Panel: WP comes standard with 8 K-glass windows. See above for optional window designs.



Optional Window Panels

- 304** Keystone
- 311** Squared
- 306** Round Top

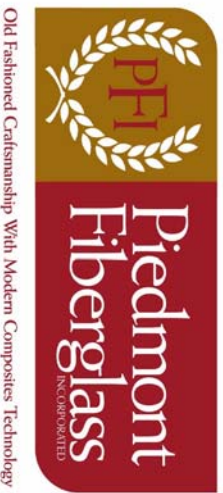
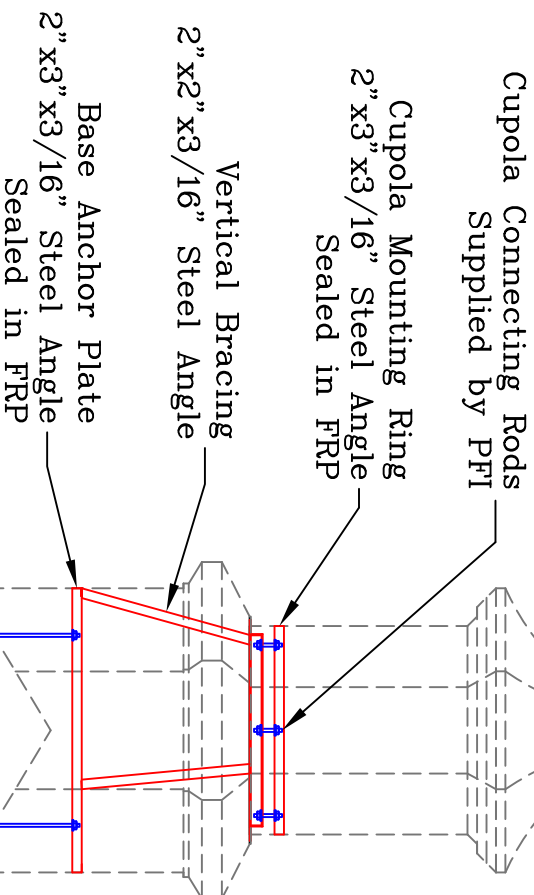
Note: Windows also available without panes.

Optional Cupola Finials

- 36" Cross 8"Ø Sphere
- 36" Aluminum Spire 8"Ø Sphere

Weathervane selection at :
www.whitehallproducts.com

Note: All drawings are the property of Piedmont Fiberglass. Dimensions & designs may be altered to accommodate manufacturing.



Piedmont Fiberglass Inc.
 PO Box 1089
 Taylorsville, NC 28681
 Phone: 828-632-8883
 Fax: 828-632-5585
www.piedmontfiberglass.com

Cupola

Model: **830-SWP**

Scale: **scale**

Drawn By: **TJD/JEM**

Created On: **2/10/07**

Updated On: **11/17/10**

Old Fashioned Craftsmanship With Modern Composites Technology