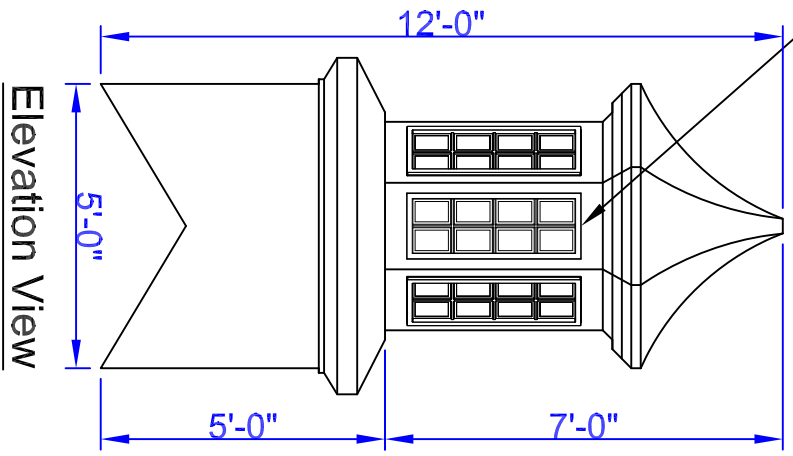


**Cupola Data**  
 Overall Height = 12'  
 Base Width = 5'  
 Unit Weight = 575 lbs.

Base Panels: WP comes standard with 8 K-glass windows. See above for optional window designs.



**Optional Window Panels**

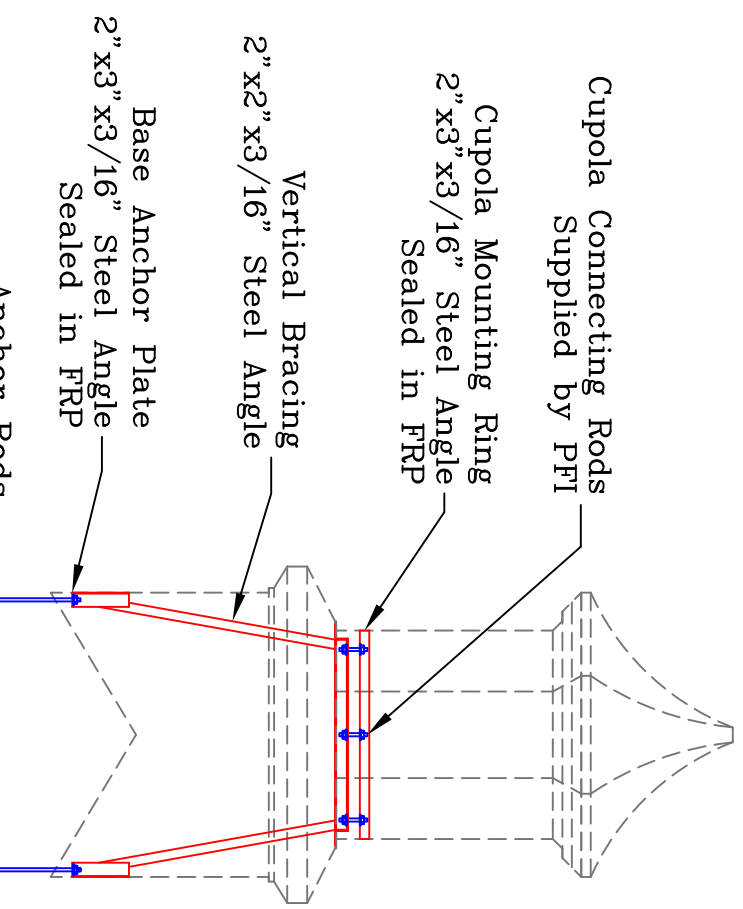
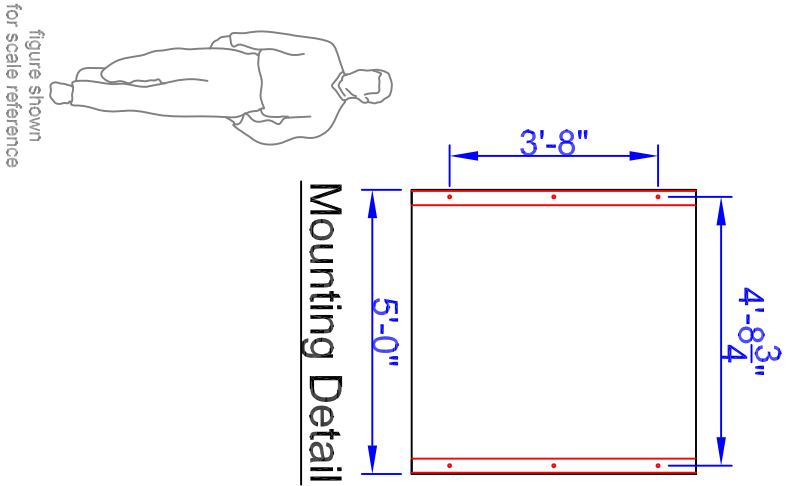
- 304** Keystone
- 311** Squared
- 306** Round Top

Note: Windows also available without panes.

**Optional Cupola Finials**

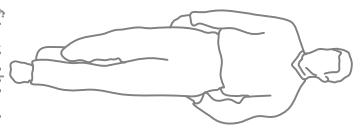
- 36" Cross 8"Ø Sphere
- 36" Aluminum Spire 8"Ø Sphere

Weatheravene selection at:  
[www.whitehallproducts.com](http://www.whitehallproducts.com)



Note: All drawings are the property of Piedmont Fiberglass. Dimensions & designs may be altered to accommodate manufacturing.

figure shown for scale reference



**Piedmont Fiberglass Inc.**  
 PO Box 1089  
 Taylorsville, NC 28681  
 Phone: 828-632-8883  
 Fax: 828-632-5585  
[www.piedmontfiberglass.com](http://www.piedmontfiberglass.com)

**Cupola**

Model: **850-WP**

Scale: **scale**

Drawn By: **TJD/JEM**

Created On: **2/10/07**

Updated On: **11/19/10**

Old Fashioned Craftsmanship With Modern Composites Technology