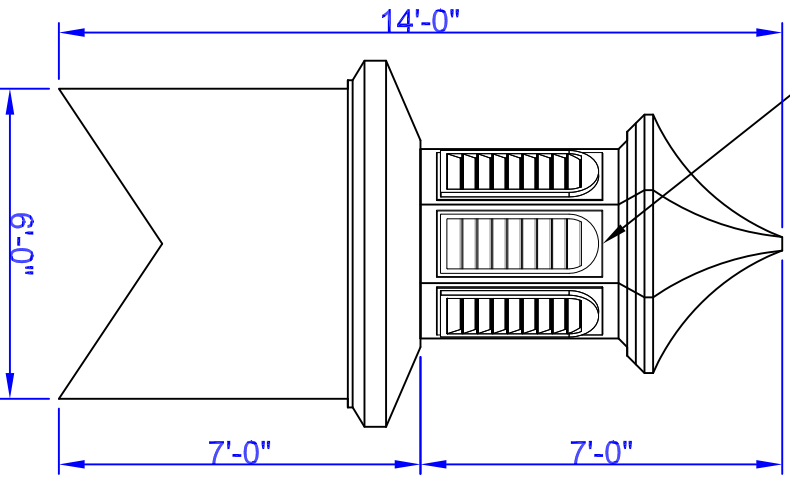
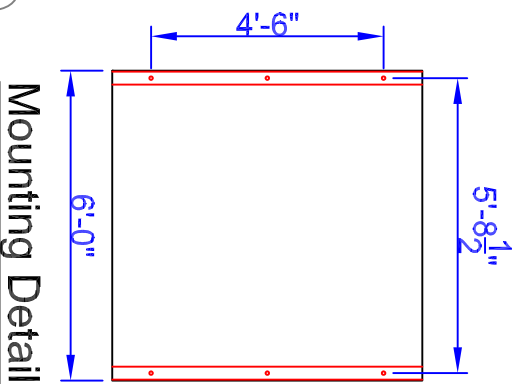
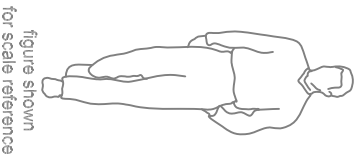


**Cupola Data**  
 Overall Height = 14'  
 Base Width = 6'  
 Unit Weight = 800 lbs.

Base Panels – See Available Options Above



**Elevation View**



**Mounting Detail**

**Available Standard Panels**

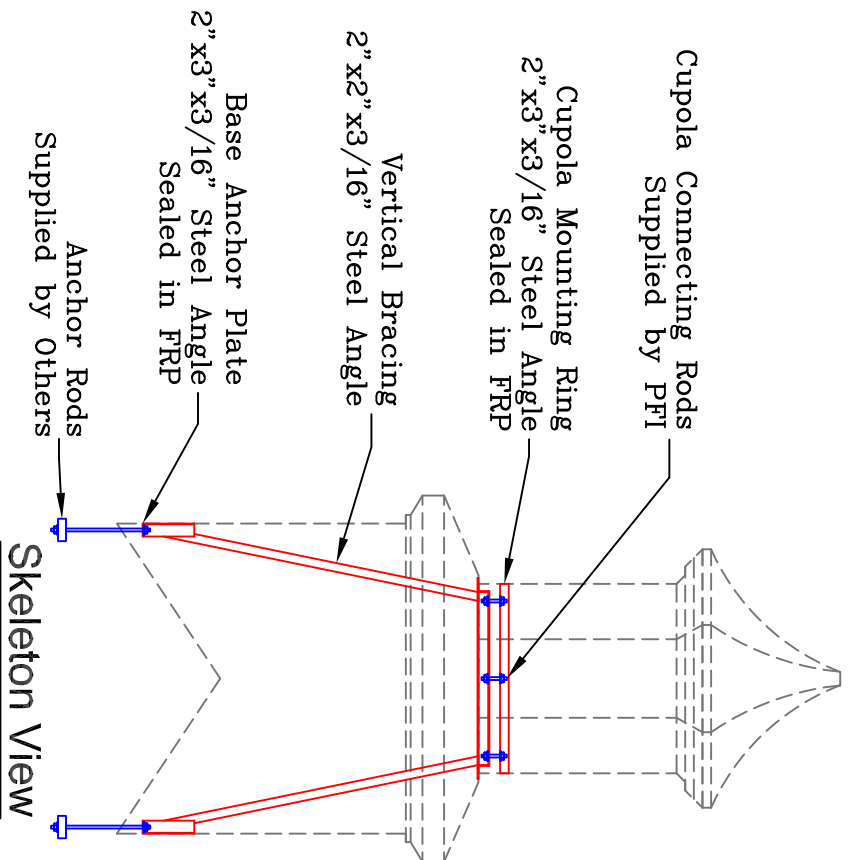
Decorative	601
Sq. Louver	104
Round Top Louver	108
Scallop	501

**Optional Cupola Finials**

36" Cross 8"Ø Sphere	36" Aluminum Spire 8"Ø Sphere
-------------------------	----------------------------------

Weathervane selection at :  
[www.whitehallproducts.com](http://www.whitehallproducts.com)

Note: All drawings are the property of Piedmont Fiberglass. Dimensions & designs may be altered to accommodate manufacturing.



**Skeleton View**



Old Fashioned Craftsmanship With Modern Composites' Technology

Piedmont Fiberglass Inc.

PO Box 1089

Taylorsville, NC 28681

Phone: 828-632-8883

Fax: 828-632-5585

[www.piedmontfiberglass.com](http://www.piedmontfiberglass.com)

**Cupola**

Model:

**860-LP**

Scale: **scale**

Drawn By: **TJD/JEM**

Created On: **2/13/07**

Updated On: **11/19/10**