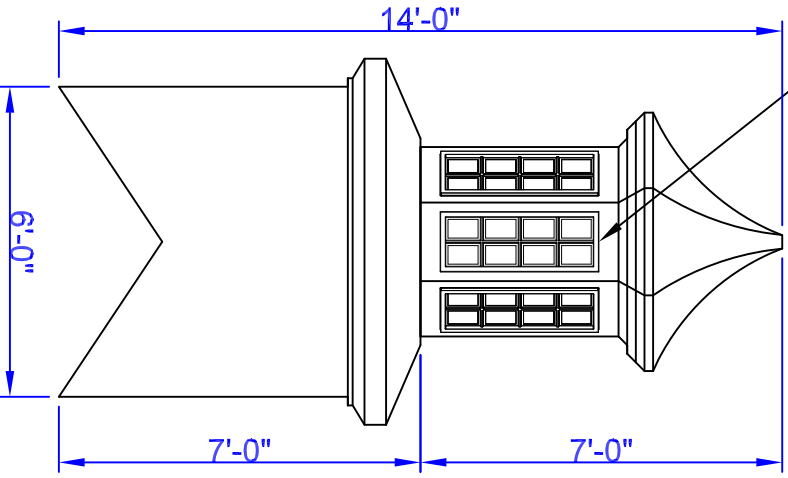


Cupola Data
 Overall Height = 14'
 Base Width = 6'
 Unit Weight = 800 lbs.

Base Panel: WP comes standard with 8 K-glass windows. See above for optional window designs.



Elevation View

Note: All drawings are the property of Piedmont Fiberglass. Dimensions & designs may be altered to accommodate manufacturing.

Optional Window Panels

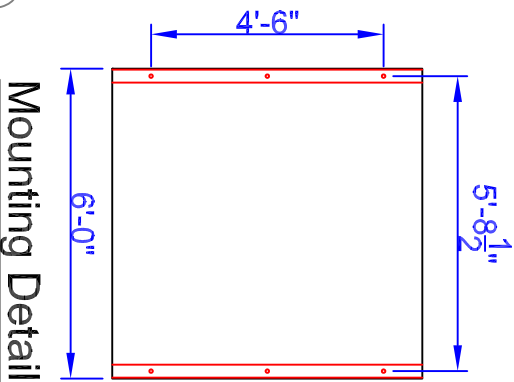
- 304 Keystone
- 311 Squared
- 306 Round Top

Note: Windows also available without panes.

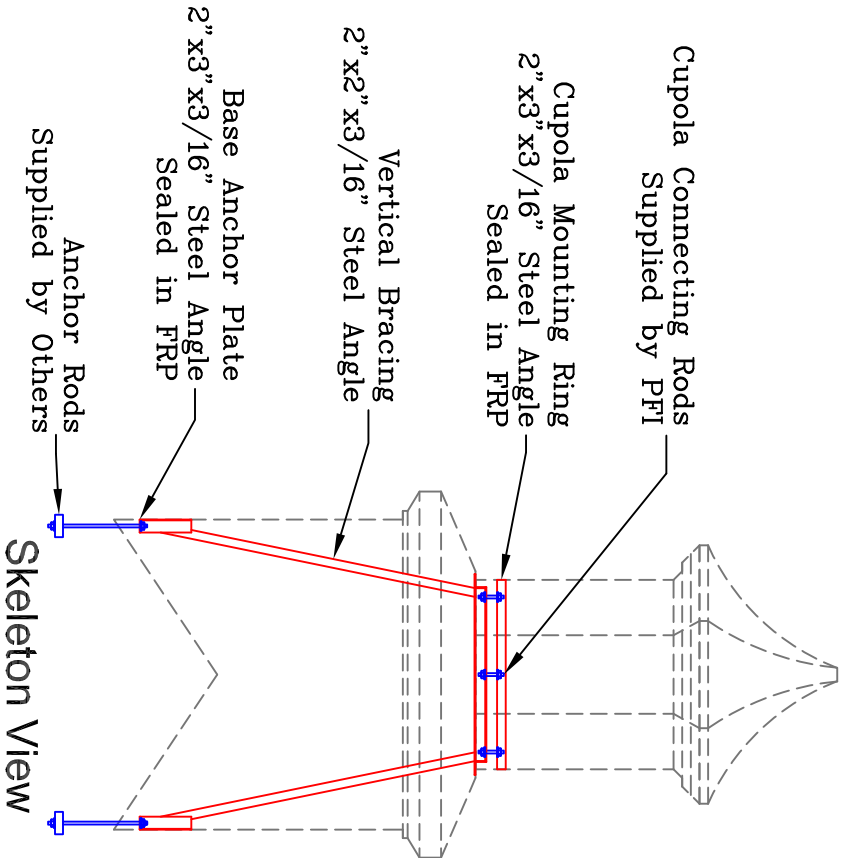
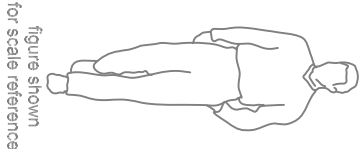
Optional Cupola Finials

- 36" Cross
- 36" Aluminum Spire
- 8"Ø Sphere
- 8"Ø Sphere

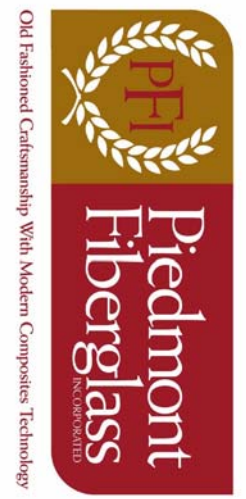
Weathervane selection at:
www.whitehallproducts.com



Mounting Detail



Skeleton View



Old Fashioned Craftsmanship With Modern Composites' Technology

Piedmont Fiberglass Inc.
 PO Box 1089
 Taylorsville, NC 28681
 Phone: 828-632-8883
 Fax: 828-632-5585
www.piedmontfiberglass.com

Cupola

Model: **860-WP**

Scale: **scale**

Drawn By: **TJD/JEM**

Created On: **2/13/07**

Updated On: **11/19/10**