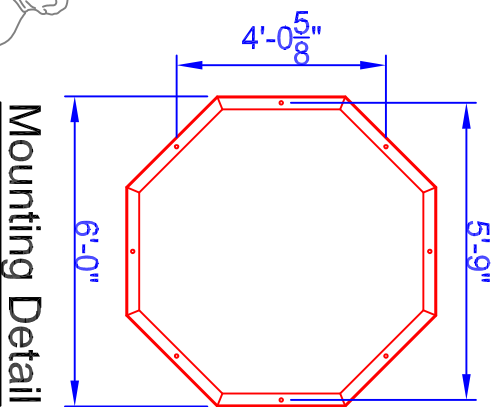
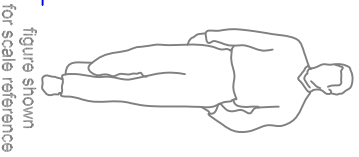
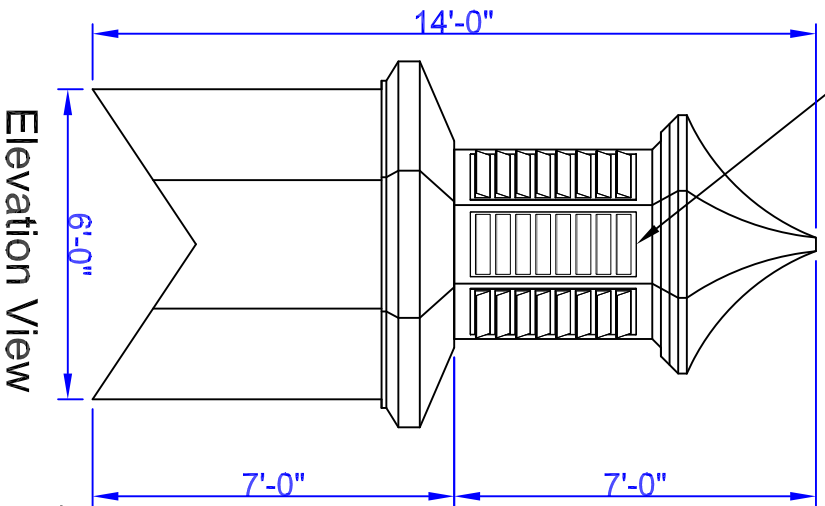


Cupola Data
 Overall Height = 14'
 Base Width = 6'
 Unit Weight = 800 lbs.

Base Panels – See Available Options Above



Available Standard Panels

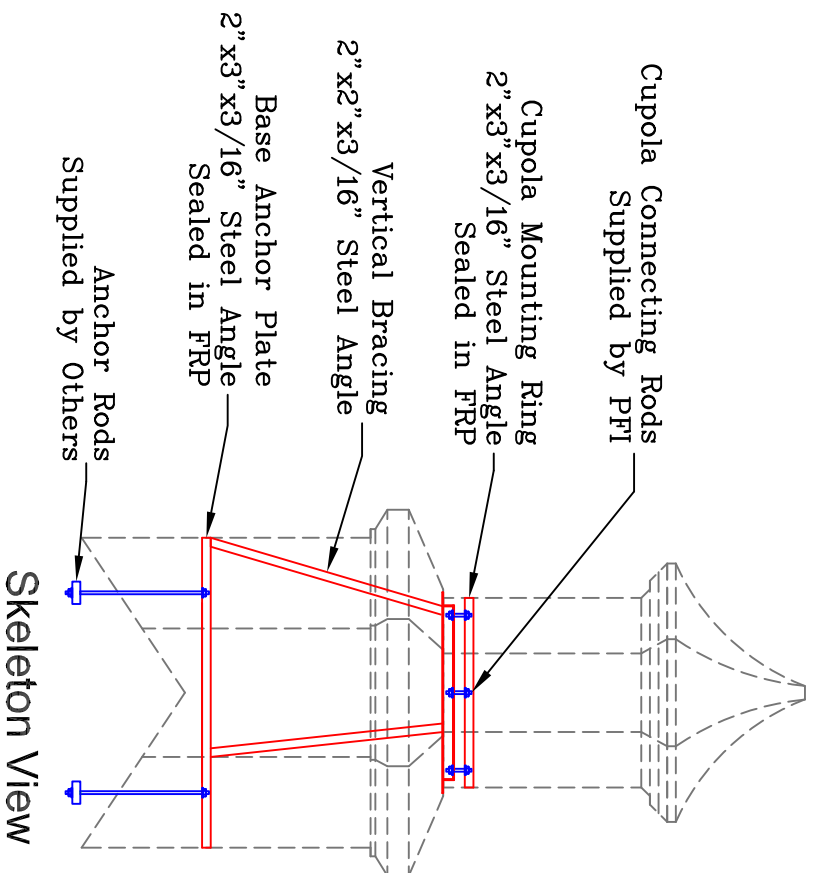
601	Decorative	501	Scallop
104	Sq. Louver	108	Round Top Louver

Optional Cupola Finials

36" Cross 8"Ø Sphere	36" Aluminum Spire 8"Ø Sphere
----------------------	-------------------------------

Weathervane selection at:
www.whitehallproducts.com

Note: All drawings are the property of Piedmont Fiberglass. Dimensions & designs may be altered to accommodate manufacturing.



Skeleton View

Piedmont Fiberglass Inc.
 PO Box 1089
 Taylorsville, NC 28681
 Phone: 828-632-8883
 Fax: 828-632-5585
www.piedmontfiberglass.com

Piedmont Fiberglass Inc.
 PO Box 1089
 Taylorsville, NC 28681
 Phone: 828-632-8883
 Fax: 828-632-5585
www.piedmontfiberglass.com

Model: **Cupola**

Scale: **scale**

Drawn By: **TJD/JEM**

Created On: **2/11/2007**

Updated On: **1/11/9/10**

870-LP

Old Fashioned Craftsmanship With Modern Composites Technology