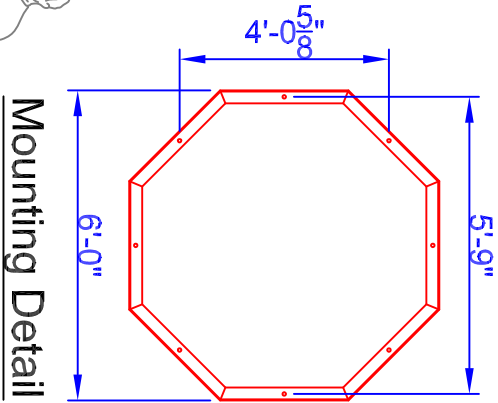
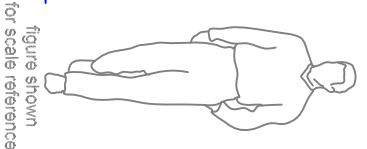
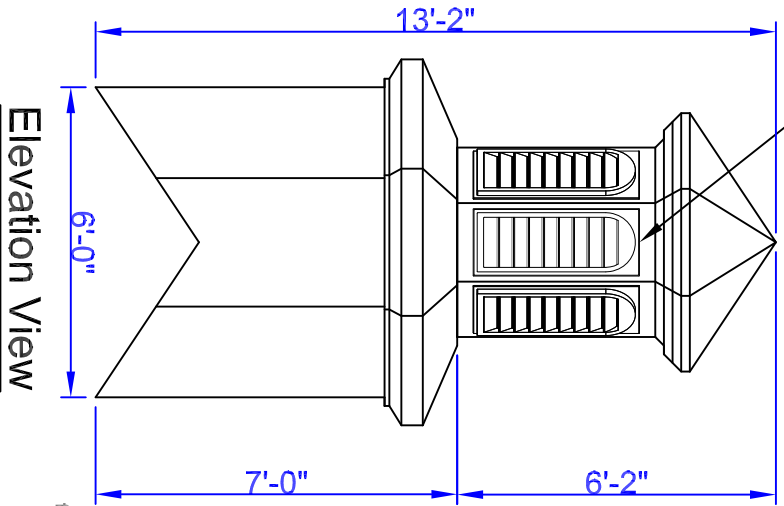


**Cupola Data**  
 Overall Height = 13'-2"  
 Base Width = 6'  
 Unit Weight = 800 lbs.

Base Panels – See Available Options Above



**Available Standard Panels**

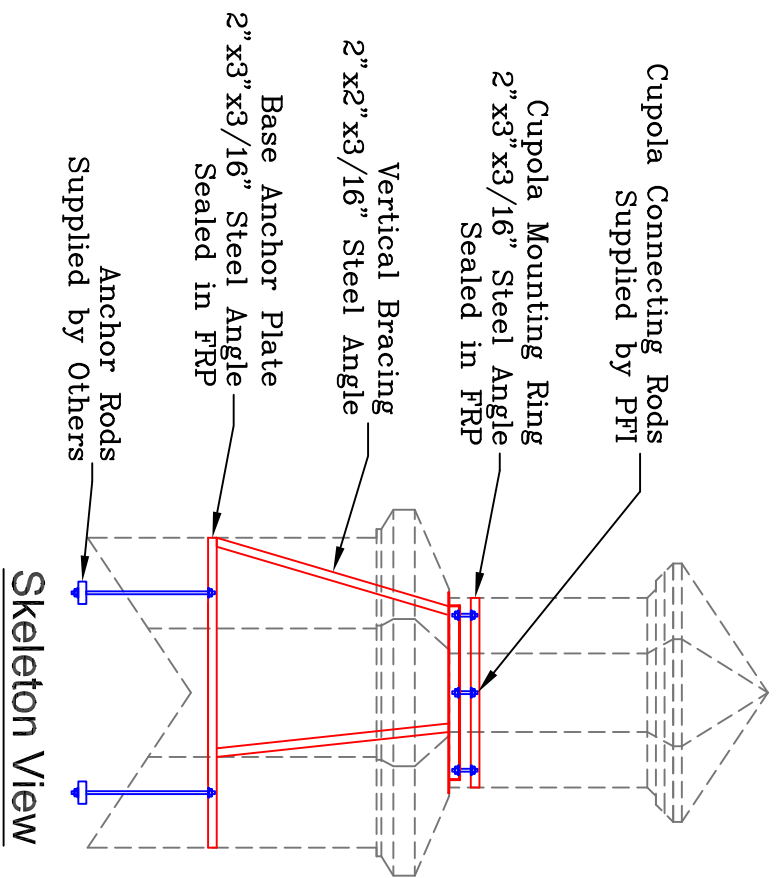
601	Decorative	Image of decorative panel
104	Sq. Louver	Image of square louver panel
108	Round Top Louver	Image of round top louver panel
501	Scalloped	Image of scalloped panel

**Optional Cupola Finials**

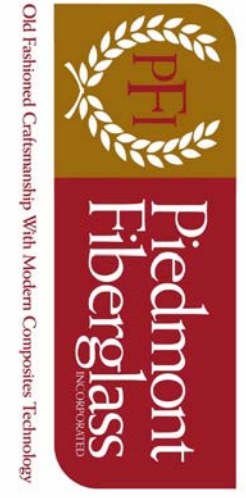
36" Cross 8"Ø Sphere	Image of cross finial
36" Aluminum Spire 8"Ø Sphere	Image of spire finial

Weathervane selection at:  
[www.whitehallproducts.com](http://www.whitehallproducts.com)

Note: All drawings are the property of Piedmont Fiberglass. Dimensions & designs may be altered to accommodate manufacturing.



**Skeleton View**



**Piedmont Fiberglass Inc.**  
 PO Box 1089  
 Taylorsville, NC 28681  
 Phone: 828-632-8883  
 Fax: 828-632-5585  
[www.piedmontfiberglass.com](http://www.piedmontfiberglass.com)

**Cupola**  
 Model: **870-LPK**

Scale: **scale**  
 Drawn By: **TJD/JEM**  
 Created On: **2/12/07**  
 Updated On: **1/11/9/10**