

Cupola Data
 Overall Height = 13'-11"
 Base Width = 6'
 Unit Weight = 800 lbs.

Base Panels – See Available Options Above

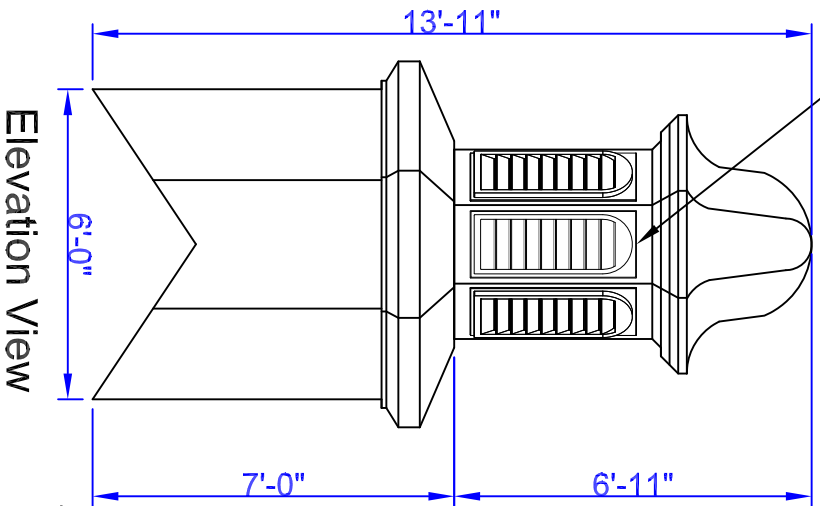
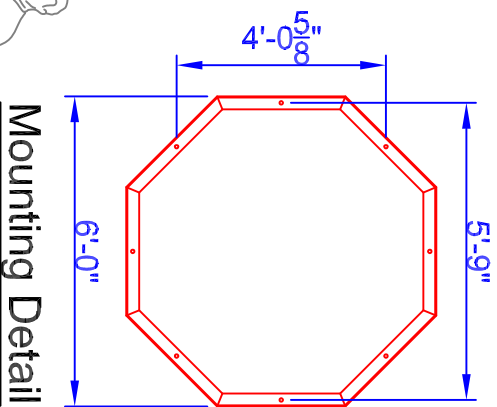
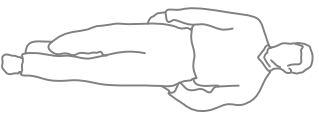


figure shown for scale reference



Mounting Detail

Available Standard Panels

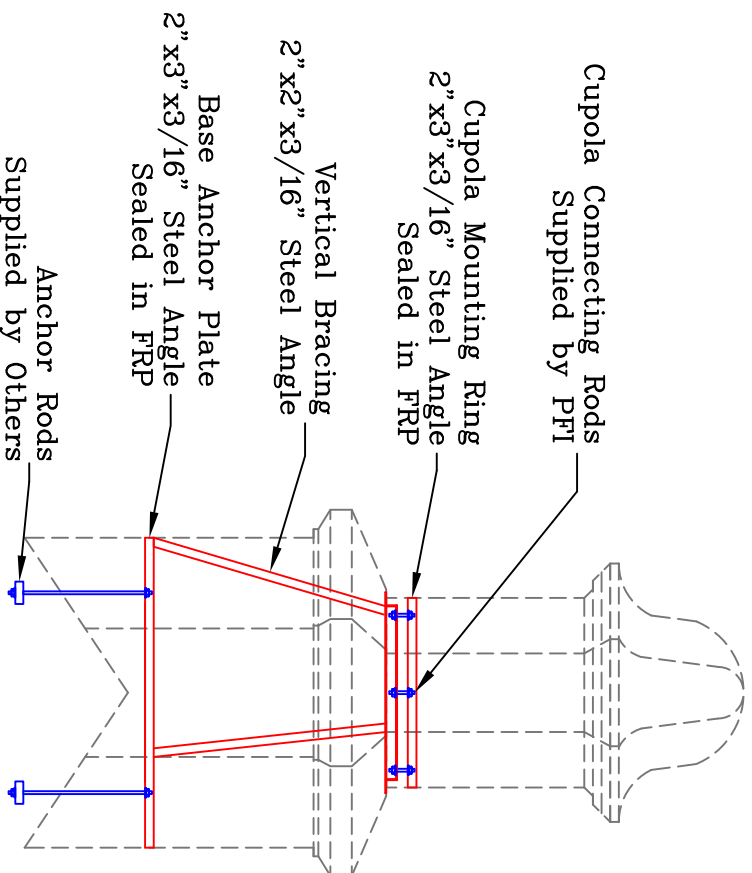
601	Decorative	104	Sq. Louver	108	Round Top Louver	501	Scallop
-----	------------	-----	------------	-----	------------------	-----	---------

Optional Cupola Finials

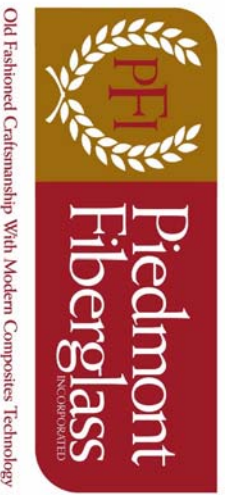
36" Cross 8"Ø Sphere	36" Aluminum Spire 8"Ø Sphere
----------------------	-------------------------------

Weathervane selection at:
www.whitehallproducts.com

Note: All drawings are the property of Piedmont Fiberglass. Dimensions & designs may be altered to accommodate manufacturing.



Skeleton View



Old Fashioned Craftsmanship With Modern Composites' Technology

Piedmont Fiberglass Inc.
 PO Box 1089
 Taylorsville, NC 28681
 Phone: 828-632-8883
 Fax: 828-632-5585
www.piedmontfiberglass.com

Cupola	Model:	870-LR
	Scale: scale	
	Drawn By: TJD/JEM	
	Created On: 2/11/2007	
	Updated On: 1/11/9/10	