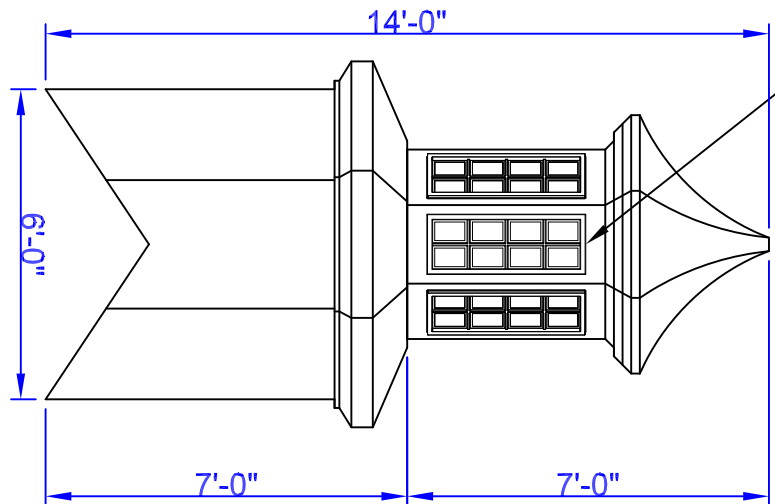
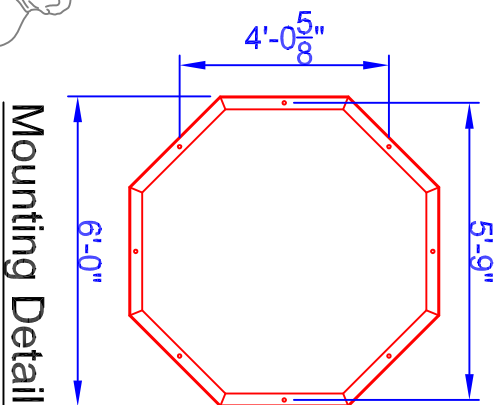
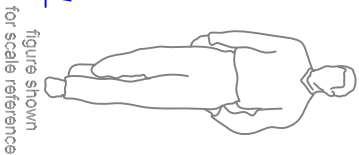


**Cupola Data**  
 Overall Height = 14'  
 Base Width = 6'  
 Unit Weight = 800 lbs.

Base Panel: WP comes standard with 8 K-glass windows. See above for optional window designs.



**Elevation View**



**Mounting Detail**

**Optional Window Panels**

- 304** Keystone
- 311** Squared
- 306** Round Top

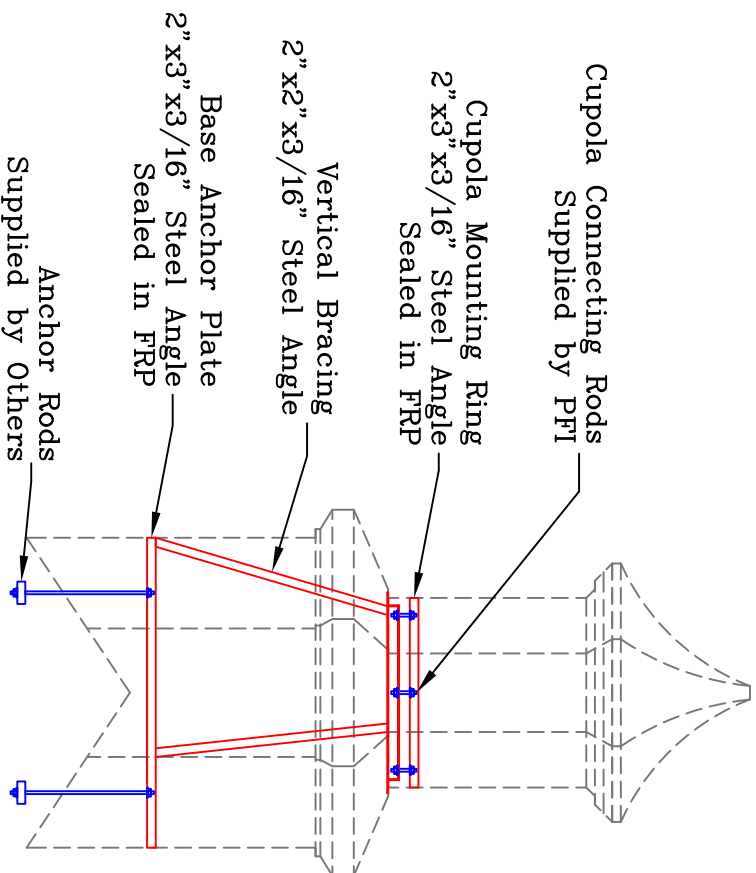
Note: Windows also available without panes.

**Optional Cupola Finials**

- 36" Cross
- 36" Aluminum Spire
- 8"Ø Sphere
- 8"Ø Sphere

Weathervane selection at:  
[www.whitehallproducts.com](http://www.whitehallproducts.com)

Note: All drawings are the property of Piedmont Fiberglass. Dimensions & designs may be altered to accommodate manufacturing.



**Skeleton View**



Old Fashioned Craftsmanship With Modern Composites' Technology

Piedmont Fiberglass Inc.

PO Box 1089

Taylorsville, NC 28681

Phone: 828-632-8883

Fax: 828-632-5585

[www.piedmontfiberglass.com](http://www.piedmontfiberglass.com)

**Cupola**

Model:

**870-WP**

Scale: **scale**

Drawn By: **TJD/JEM**

Created On: **2/12/07**

Updated On: **1/11/9/10**