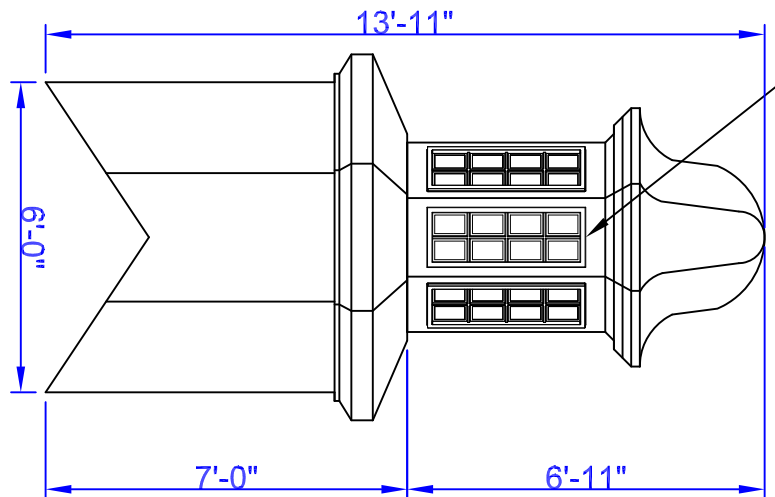


**Cupola Data**  
 Overall Height = 13'-11"  
 Base Width = 6'  
 Unit Weight = 800 lbs.

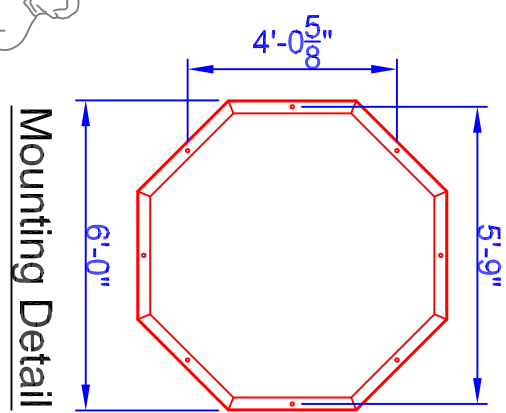
Base Panel: WR comes standard with 8 K-glass windows. See above for optional window designs.



**Optional Window Panels**

- 304** Keystone
- 311** Squared
- 306** Round Top

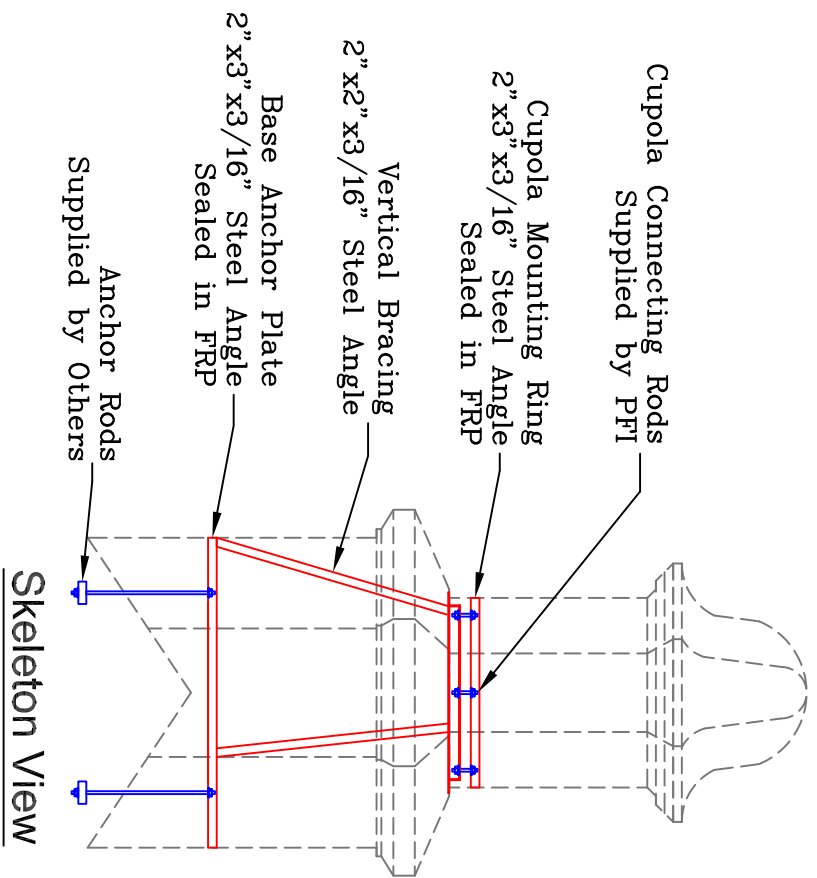
Note: Windows also available without panes.



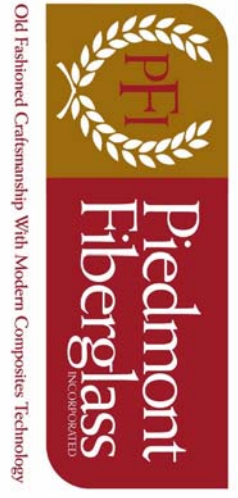
**Optional Cupola Finials**

- 36" Cross
- 36" Aluminum Spire
- 8"Ø Sphere
- 8"Ø Sphere

Weathervane selection at:  
[www.whitehallproducts.com](http://www.whitehallproducts.com)



Note: All drawings are the property of Piedmont Fiberglass. Dimensions & designs may be altered to accommodate manufacturing.



**Piedmont Fiberglass Inc.**  
 PO Box 1089  
 Taylorsville, NC 28681  
 Phone: 828-632-8883  
 Fax: 828-632-5585  
[www.piedmontfiberglass.com](http://www.piedmontfiberglass.com)

**Cupola**  
 Model: **870-WR**

Scale: **scale**  
 Drawn By: **TJD/JEM**  
 Created On: **2/12/07**  
 Updated On: **1/11/9/10**