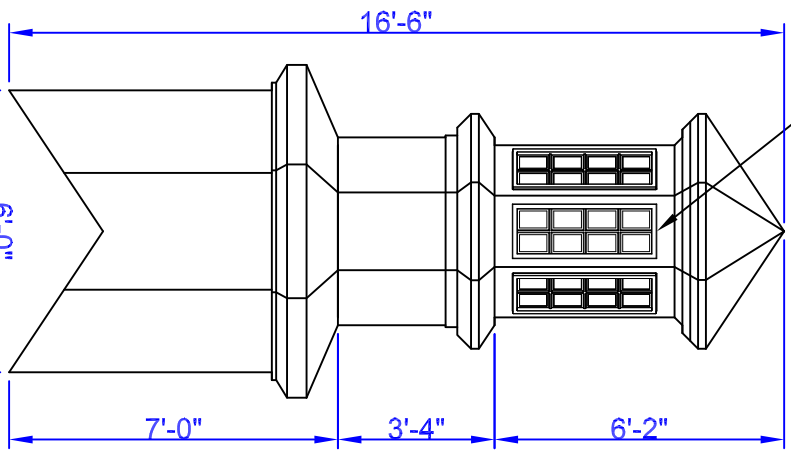


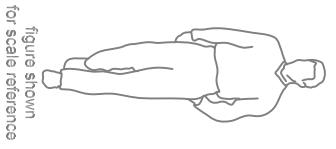
**Cupola Data**  
 Overall Height = 16'-6"  
 Base Width = 6'  
 Unit Weight = 925 lbs.

Base Panel: WPK comes standard with 8 K-glass windows. See above for optional window designs.



**Elevation View**

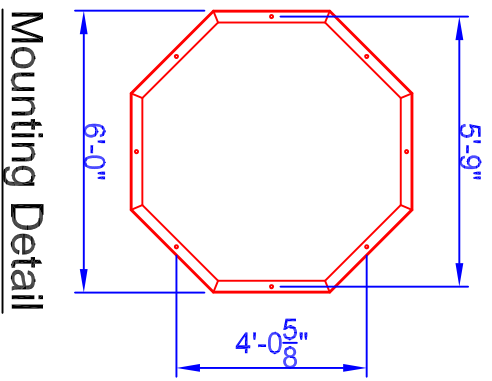
Note: All drawings are the property of Piedmont Fiberglass. Dimensions & designs may be altered to accommodate manufacturing.



**Optional Window Panels**

- 304** Keystone
- 311** Squared
- 306** Round Top

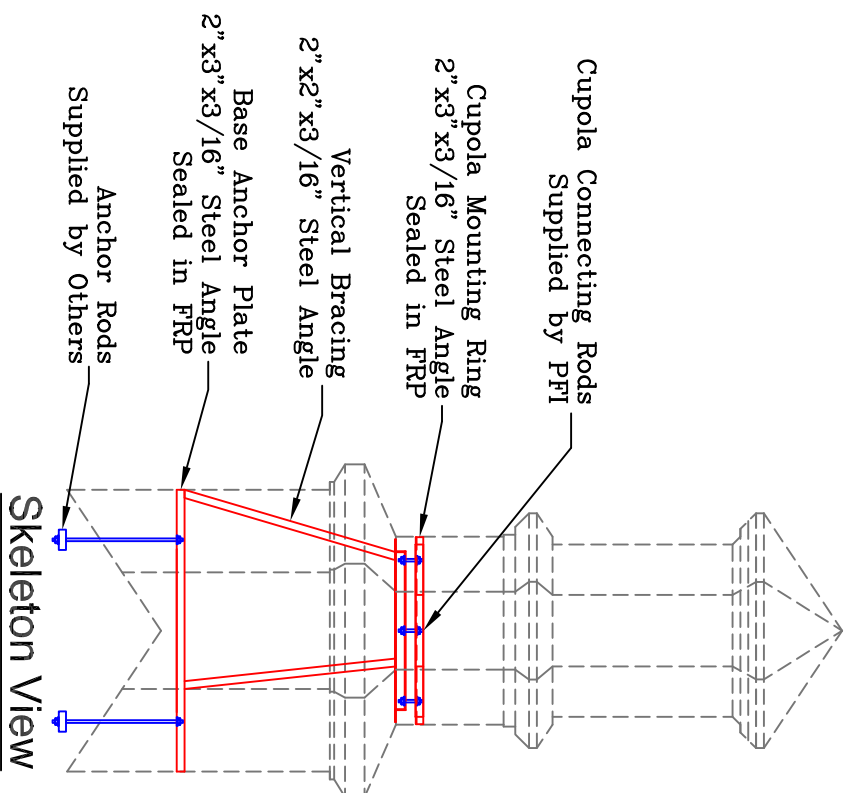
Note: Windows also available without panes.



**Optional Cupola Finials**

- 36" Cross 8"Ø Sphere
- 36" Aluminum Spire 8"Ø Sphere

Weather vane selection at:  
[www.whitehallproducts.com](http://www.whitehallproducts.com)



**PFI**  
**Piedmont Fiberglass**  
 INCORPORATED

Old Fashioned Craftsmanship With Modern Composites Technology

**Piedmont Fiberglass Inc.**  
 PO Box 1089  
 Taylorsville, NC 28681  
 Phone: 828-632-8883  
 Fax: 828-632-5585  
[www.piedmontfiberglass.com](http://www.piedmontfiberglass.com)

**Cupola**

Model: **970-WPK**

Scale: **scale**

Drawn By: **TJD/JEM**

Created On: **2/18/07**

Updated On: **12/03/10**